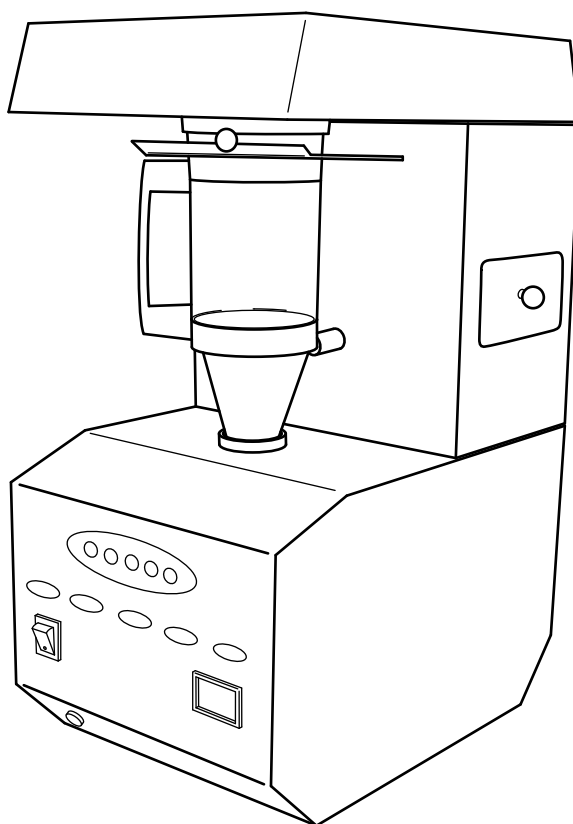


# ROASTILINO COFFEE ROASTER

## PARTS LIST



**Fracino**  
**17-19 Birch Road East**  
**Birmingham**  
**B6 7DA**

**TEL: 0121 328 5757**  
**FAX: 0121 327 3333**  
**EMAIL: [sales@fracino.com](mailto:sales@fracino.com)**

# CONTENTS

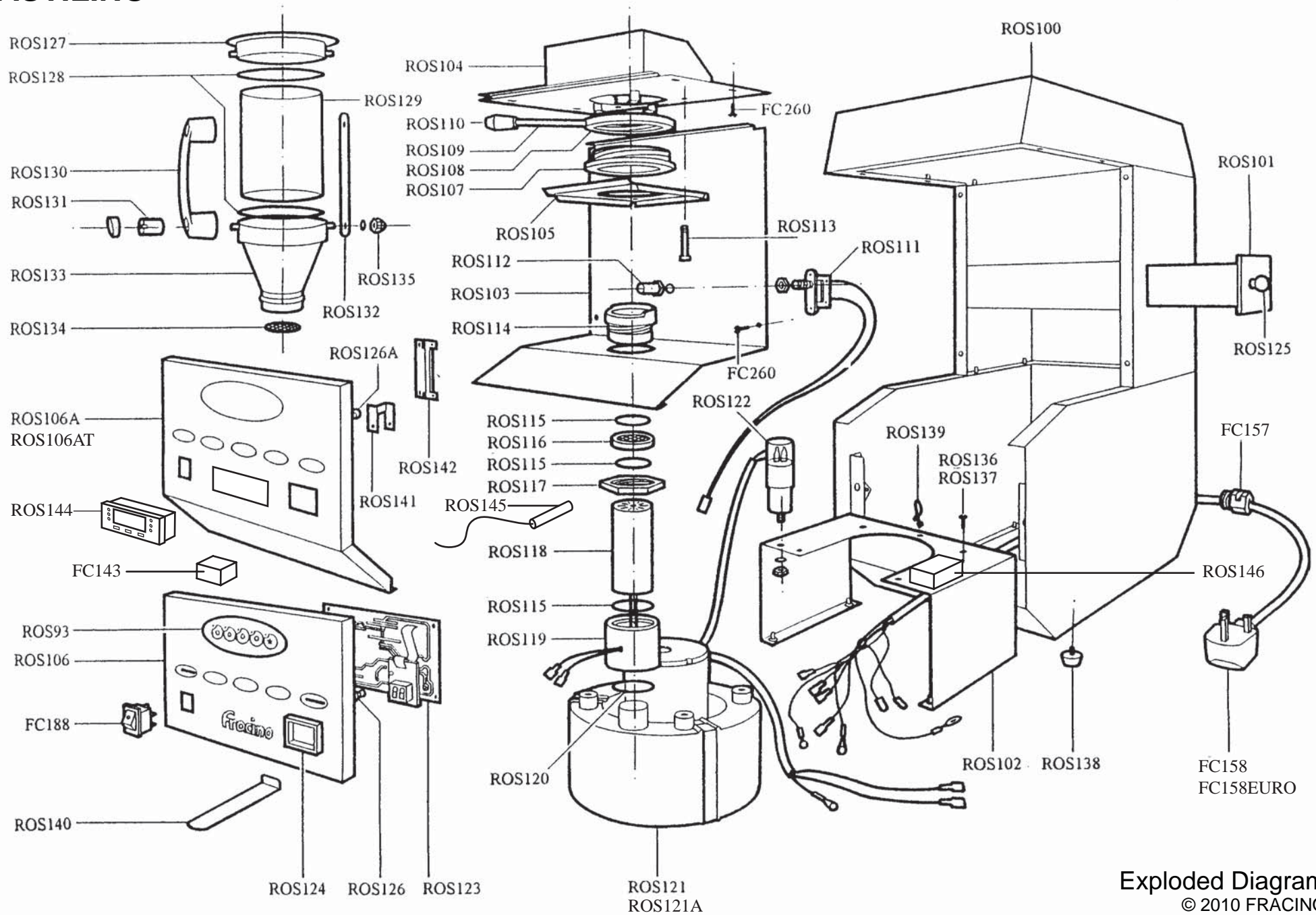
## Page

- 1-2 Part list
- 3 Exploded Diagram
- 4 Wiring Diagram
- 5 Wiring Diagram for Machines Fitted with Temperature Control

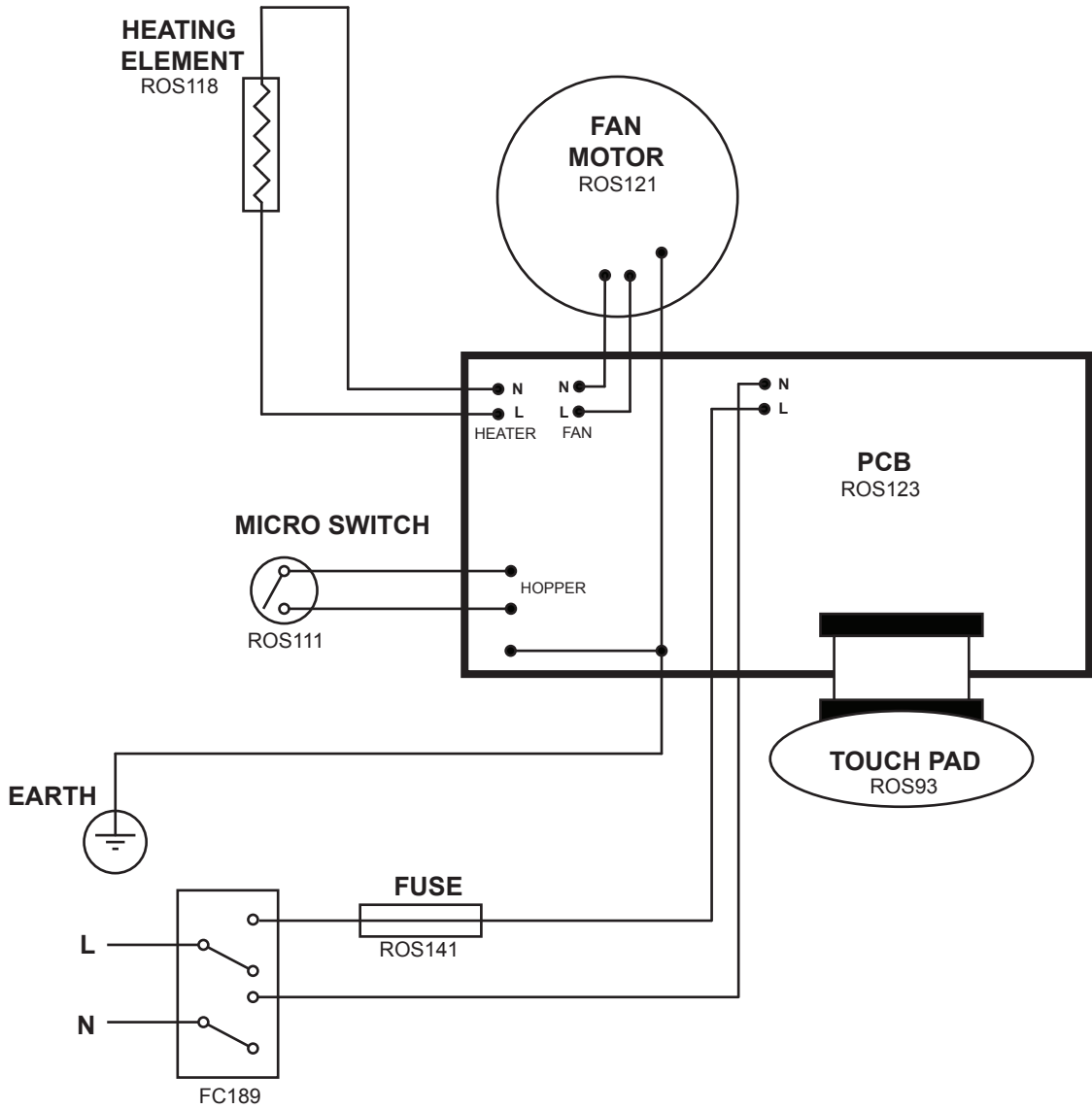
Part No.	Description	Quantity
ROS100	Body shell	1
ROS101	Husk drawer	1
ROS102	Fan motor mounting plate	1
ROS103	Front plate	1
ROS104	Top plate	1
ROS105	Jug guide and hold plate	1
ROS106	Front panel	1
ROS106AT	Front panel for Roastilino with temp. control	1
ROS107	Inner clamping ring	1
ROS108	Outer clamping ring	1
ROS109	Clamp handle rod	1
ROS110	Clamp handle	1
ROS111	Micro switch	1
ROS112	Microswitch cover	1
ROS113	Clamp plate guide	1
ROS114	Top element boss	1
ROS115	O-Ring Element Boss	1
ROS116	S/S Mesh	1
ROS117	Lock Nut	1
ROS118	Element	1
ROS118J	Element 210V 50/60Hz	1
ROS119	Element to motor boss	1
ROS120	O-Ring Element to fan motor boss	1
ROS121	Fan Motor 230V 50Hz	1
ROS121A	Fan Motor Special 2 Stage 220V 60Hz	1
ROS122	Capacitor	1
ROS123	Electronic board	1
ROS124	Bezel C/W Red filter	1
ROS125	Husk drawer knob	1
ROS126	Panel stud M5 Latch	2
ROS127	Top glass holder	1
ROS128	Glass seals	1
ROS129	Jug glass	1
ROS130	Jug handle	1
ROS131	Jug handle screw	1
ROS132	Jug strap	1
ROS133	Jug funnel	1
ROS133P	Polished Plate Funnel	1
ROS134	Jug Mesh	1
ROS135	M6 Domed nut	
ROS136	M5 Screw	
ROS137	M5 Bolt	
ROS138	Rubber foot	4
ROS139	Cable tie	
ROS140	Front panel removal tool	1
ROS141	20Amp fuse carrier	1

ROS142	12.5Amp Fuse ¼ x 1 ¼	1
ROS143	Transformer for electronic temp. control	1
ROS144	Electronic temp. control PID	1
ROS145	Temperature probe for electronic temp. control	1
ROS146	Solid state relay for temp. control	1
ROS147	2 Way HSG 143-126	1
ROS93	Key Pad	1
FC157	Cable restraining bush	1
FC158	Power lead with 13Amp UK plug	1
FC158EURO	Power lead with 16Amp Sckuko Plug	1

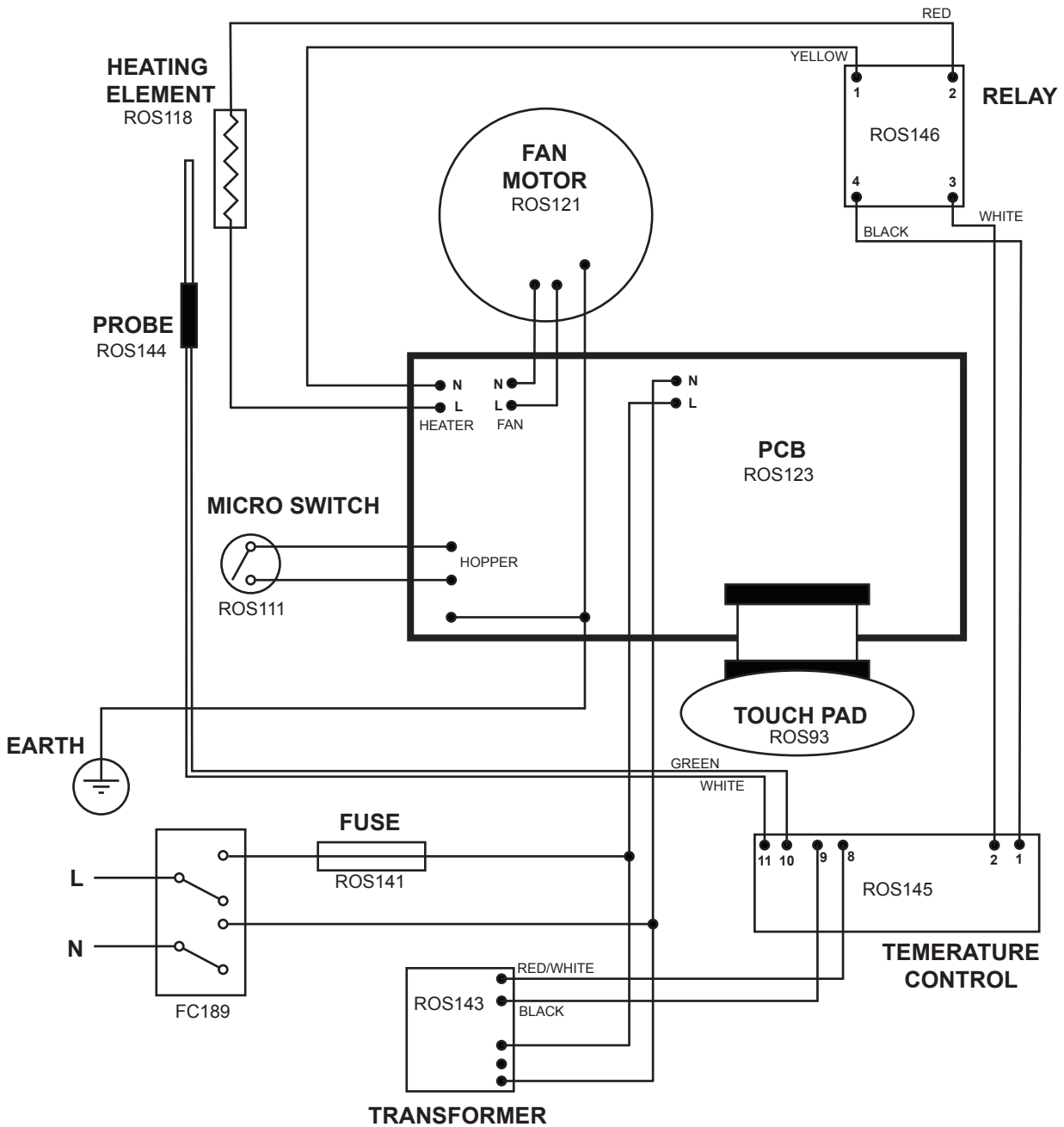
# ROASTILINO



# ROASTILINO



# ROASTILINO



Wiring Diagram for Machines Fitted with Temperature Control