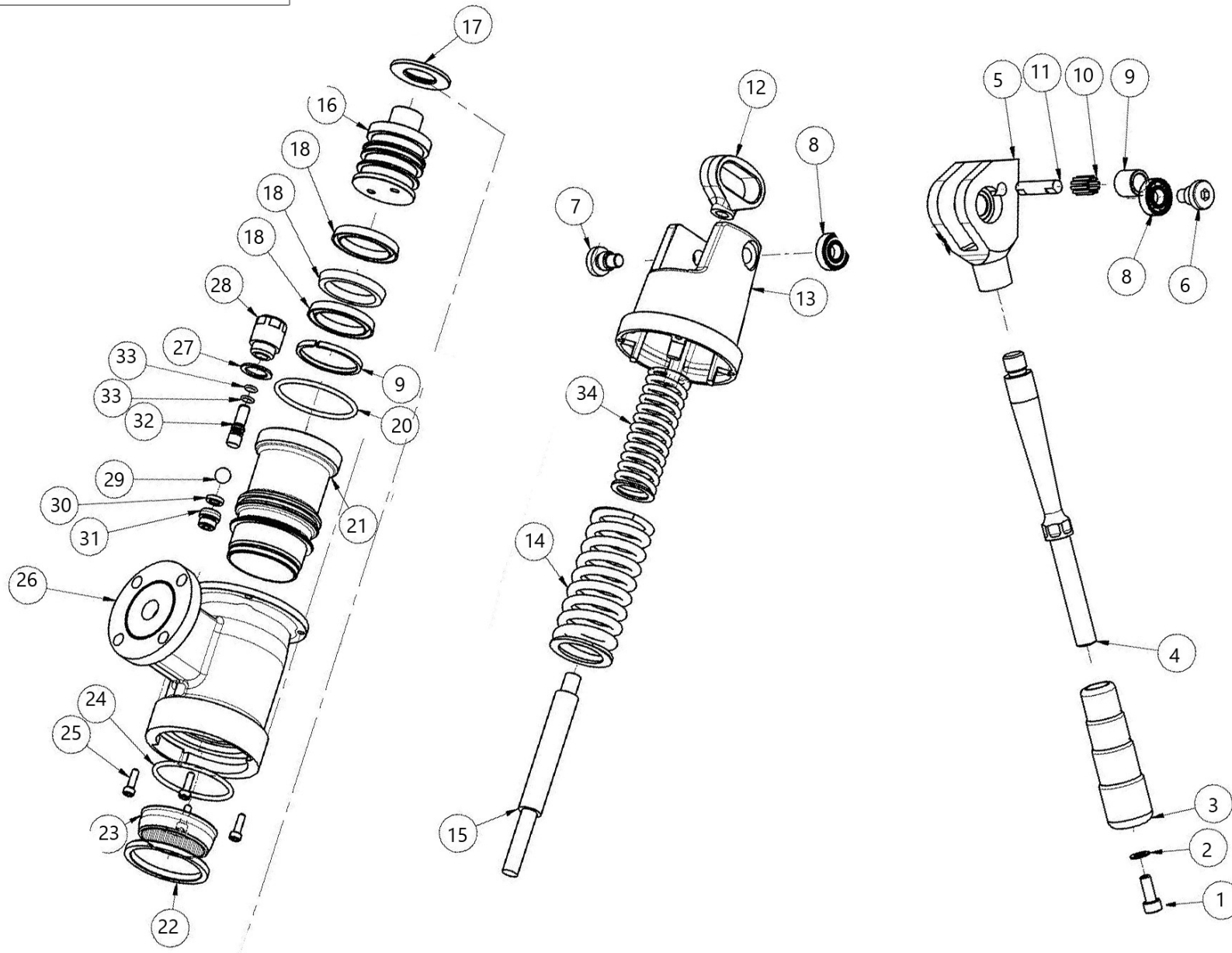
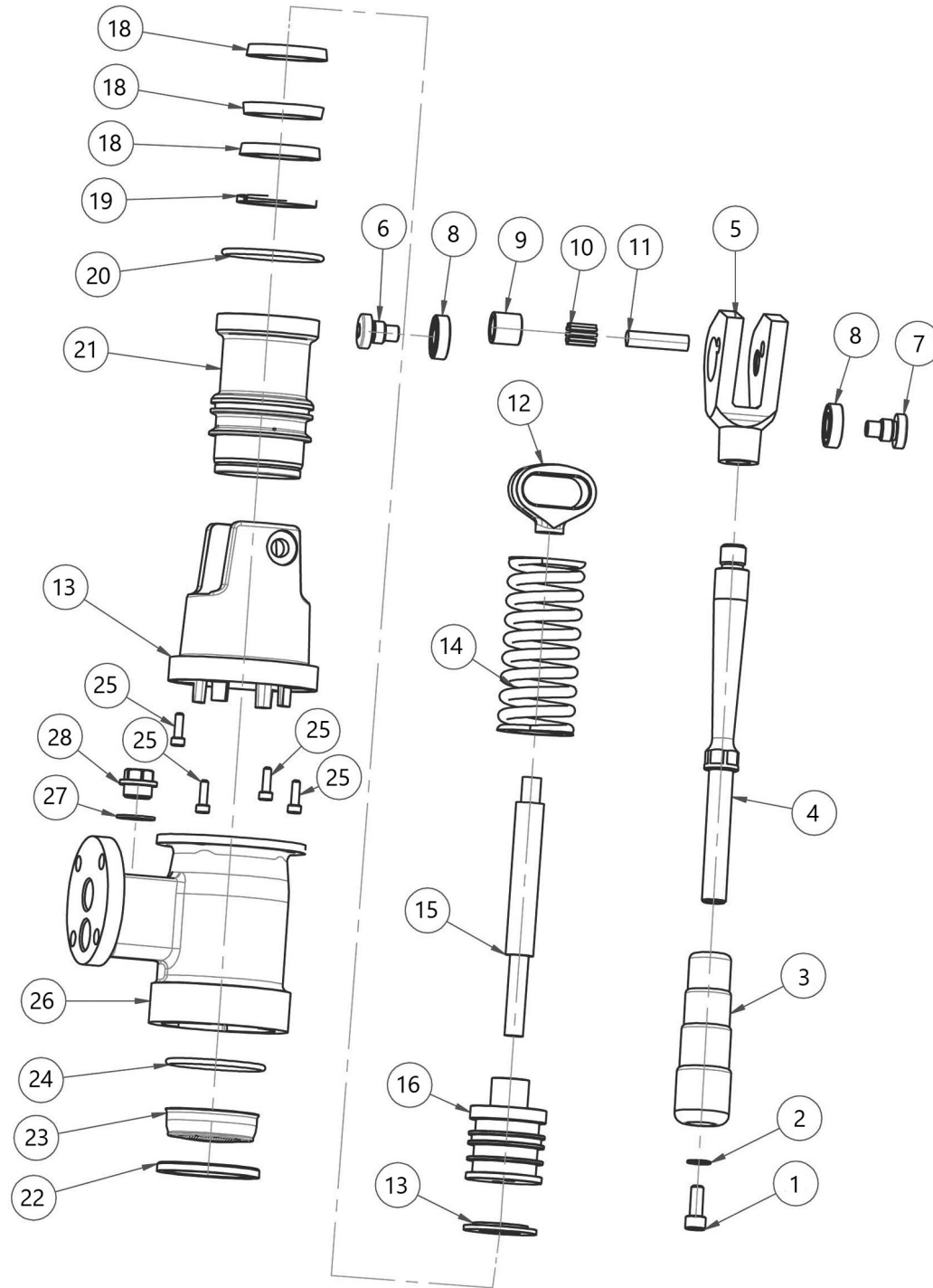


FCL 100-2009-SLD RETRO LEVER



ITEM NO.	PART NO.	DESCRIPTION	QUANTITY
1	FCL121	HANDLE BOLT	1
2	VE168	M8 SPRING WASHER	1
3	FCL105	GROUP HANDLE	1
4	FCL104-09	GROUP LEVER	1
5	FCL124	LEVER CAM	1
6	FCL125	PIVOT BOLT	1
7	FCL126	PIVOT NUT	1
8	FCL134	BEARING 6003	2
9	FCL137	ROLLER BEARING CAGE	1
10	FCL130	NEEDLE BEARING	18
11	FCL129	NEEDLE BEARING PIN	1
12	FCL123	CON ROD HEAD	1
13	FCL110-09	LEVER GROUP HEAD	1
14	FCL119-2009	GROUP SPRING LGE	1
15	FCL113	CON ROD	1
16	FCL112-09	PISTON	1
17	FCL142	PLAIN WASHER	1
18	FCL102	PISTON WASHER VEE RING	3
19	FCL102A	PTFE PISTON SEAL	1
20	FCL103A	VITON "O" RING GROUP BODY	1
21	FCL128	LEVER GROUP SLEEVE	1
22	FCL104FHW	FILTER HOLDER WASHER	1
23	FCL103S-09	SHOWER PLATE	1
24	FCL103	VITON 'O' RING GROUP BODY	1
25	FCL143	COPPER WASHER	4
26	FCL114-09	GROUP BODY	1
27	FCL117	COPPER WASHER	1
28	FCL116-09	FLOW ADJ NUT	1
29	FCL118	BALL BEARING	1
30	FCL120-09	PTFE SEAL	1
31	FCL122	S/S SEAT	1
32	FCL127	FLOW ADJ SHAFT	1
33	FCL127A	SHAFT O-RING	2
34	FCL119-2009-I	INNER SPRING SMALL	1



ITEM NO.	PART NO.	DESCRIPTION	QUANTITY
1	FCL121	HANDLE BOLT	1
2	VE168	M8 SPRING WASHER	1
3	FCL105	GROUP HANDLE	1
4	FCL104-09	GROUP LEVER	1
5	FCL124	LEVER CAM	1
6	FCL125	PIVOT BOLT	1
7	FCL126	PIVOT NUT	1
8	FCL134	BEARING 6003	2
9	FCL137	ROLLER BEARING CAGE	1
10	FCL130	NEEDLE BEARING	18
11	FCL129	NEEDLE BEARING PIN	1
12	FCL123	CON ROD HEAD	1
13	FCL110-09	LEVER GROUP HEAD	1
14	FCL119-2009	GROUP SPRING LGE	1
15	FCL113	CON ROD	1
16	FCL112-09	PISTON	1
17	FCL142	PLAIN WASHER	1
18	FCL102	PISTON WASHER VEE RING	3
19	FCL102A	PTFE PISTON SEAL	1
20	FCL103A	VITON "O" RING GROUP BODY	1
21	FCL128	LEVER GROUP SLEEVE	1
22	FCL104FHW	FILTER HOLDER WASHER	1
23	FCL103S-09	SHOWER PLATE	1
24	FCL103	VITON 'O' RING GROUP BODY	1
25	FCL143	COPPER WASHER	4
26	FCL114-T	GROUP BODY	1
27	FCL117	COPPER WASHER	1
28	FCL116-09	FLOW ADJ NUT	1