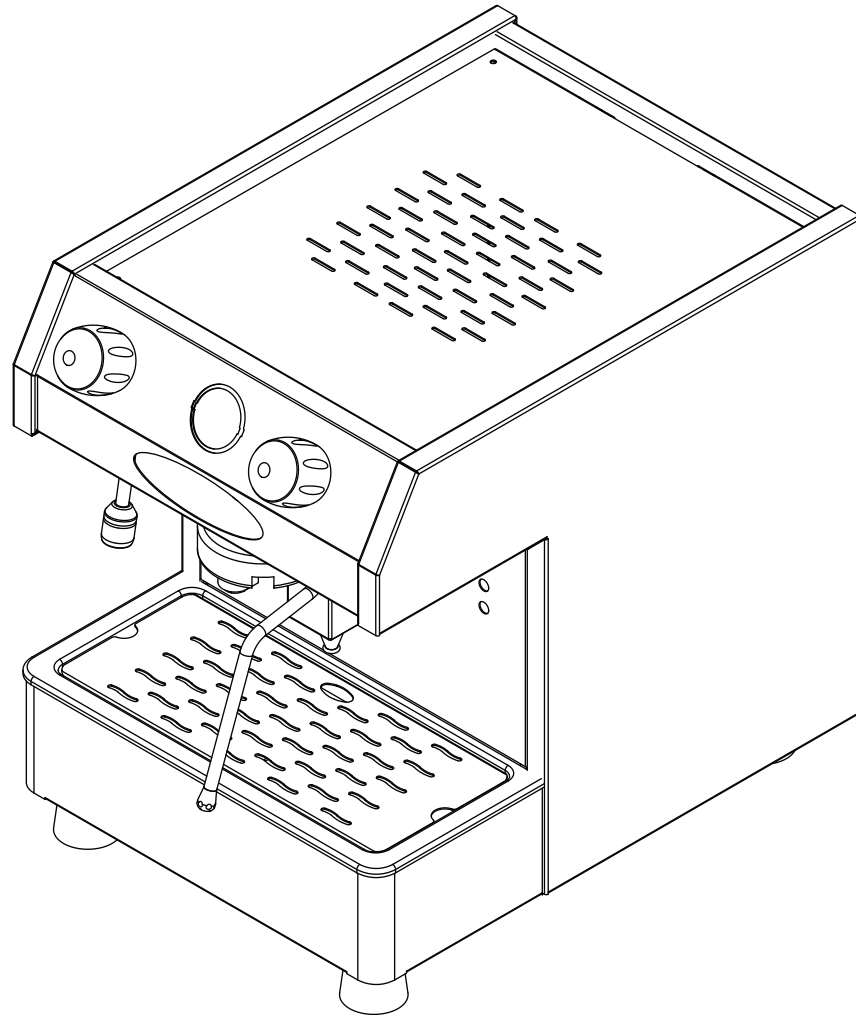


LITTLE GEM AND BAMBINO 1 GROUP

LG1, LG1E, BAM1, BAM1E

JUNE 2012 ONWARDS

PARTS BOOK



FRACINO
18-22 BIRCH ROAD EAST
BIRMINGHAM
UK

www.fracino.com
sales@fracino.com
tel: 0121 328 5757
fax: 0121 327 3333



LITTLE GEM AND BAMBINO 1 GROUP

LG1, LG1E, BAM1, BAM1E

JUNE 2012 ONWARDS

Contents

| |
|------------------------------------|
| Page 1: Bodywork |
| Page 2: Chassis |
| Page 3: Boiler |
| Page 4: Manifold |
| Page 5: Group |
| Page 6: Sight Glass |
| Page 7: Steam and Hot Water Valves |
| Page 8: Filter Holders |
| Page 9: Wiring Diagram |
| Page 10: Parts List |

WARNINGS:

The following precautions should be observed before changing/removing components

1. Ensure appliance is fully isolated from the mains electrical supply before removing any body panels or components
2. Ensure water supply has been turned off before removing any components
3. Ensure the appliance has been turned off and allowed to cool for at least 1hour before removing body panels/components.
4. Ensure the appliance has been fully de-pressurised before removing body panels/components, this can be done by opening the steam valve.
5. Only use Fracino approved parts - failure to do so will void warranty
6. Only trained personel should attempt to repair/maintain the appliance
7. Disconnecting, by-passing, tampering with or otherwise interfering with safety valves, high limit thermostats and pressure switches or other safety devices may cause serious injury and/or damage to the appliance
8. It is your responsibility to have a boiler test certificate carried out annually.
This is a requirement of the HSE under the PSSR Act of 2000. Contact Fracino or authorised service agent for further information or to have your boiler tested.

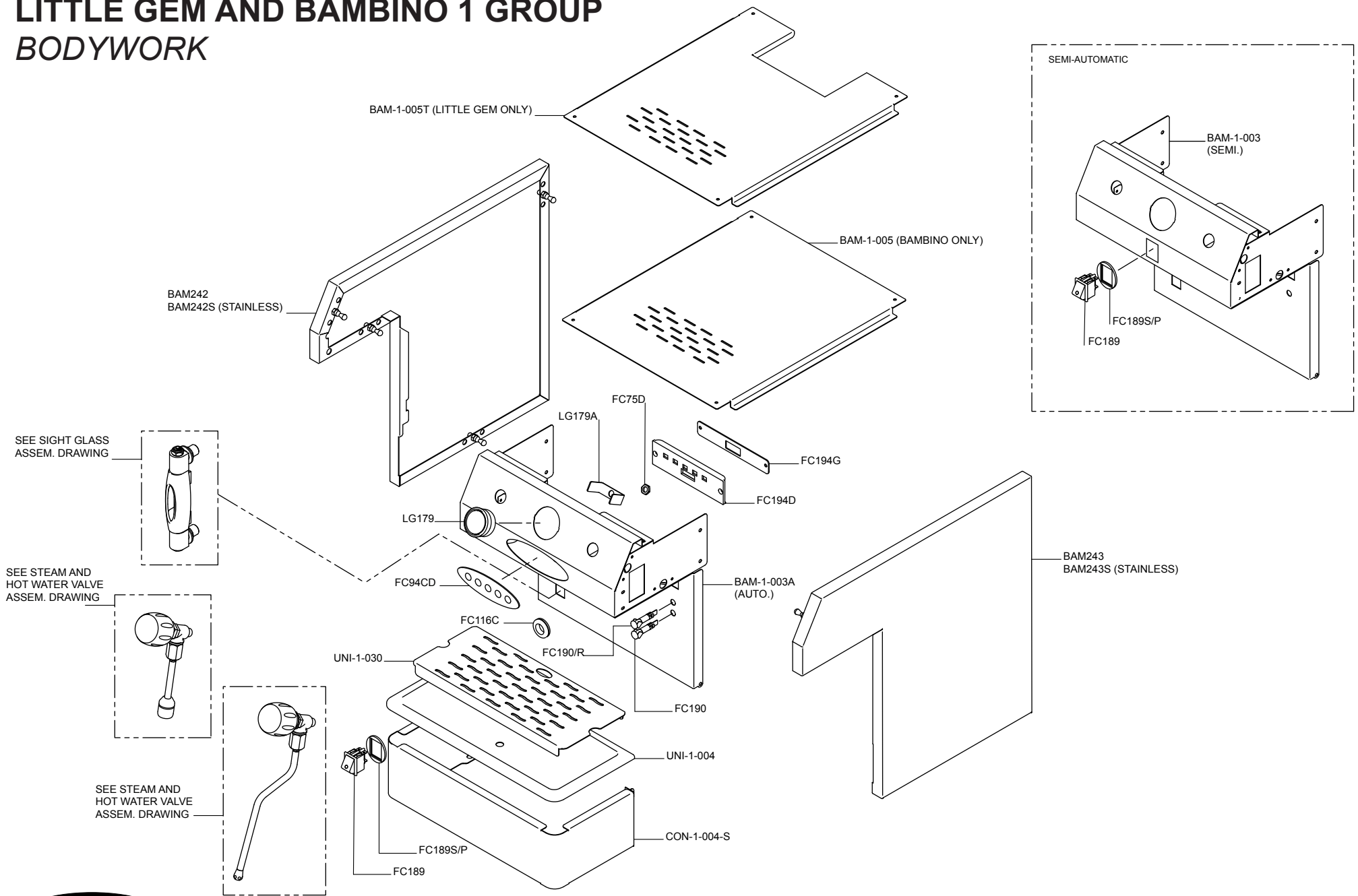
NOTES:

The Fracino policy is one of continuous improvement. We retain the right to change specification without prior notice.

The drawings in this parts book are for illustration only, appearance of parts may vary.

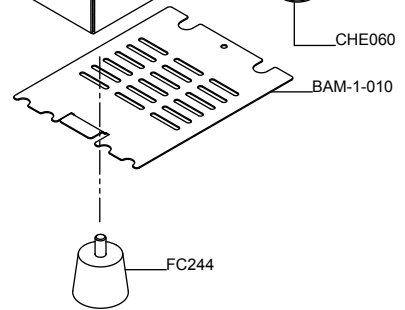
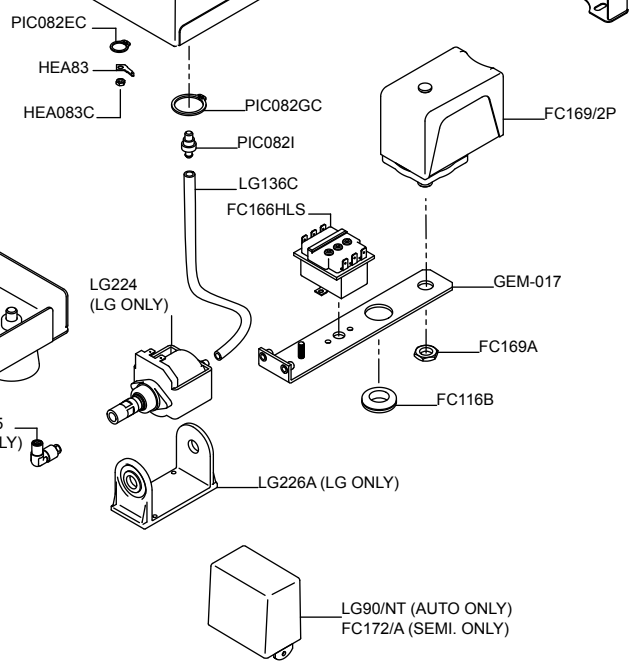
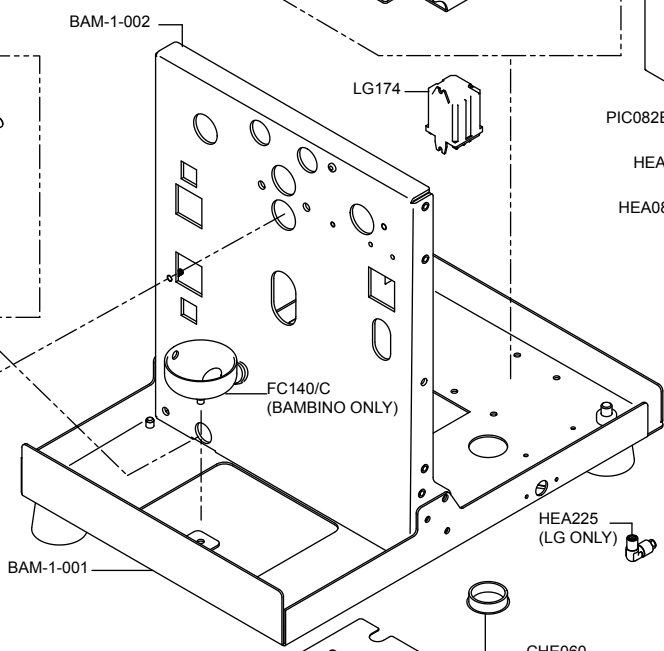
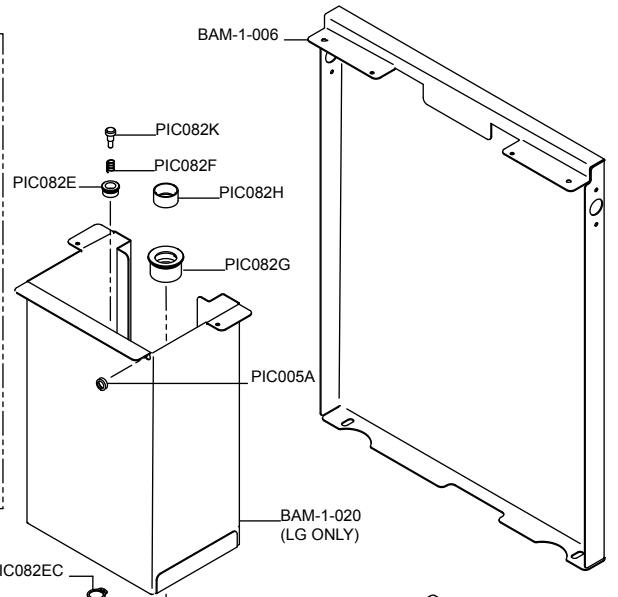
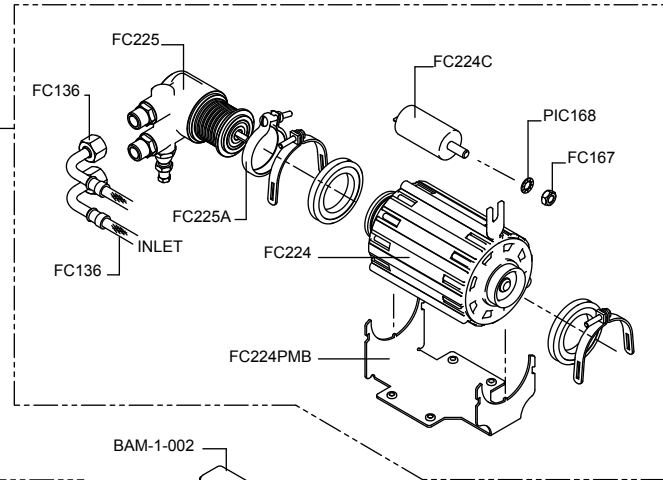
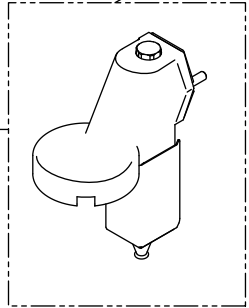
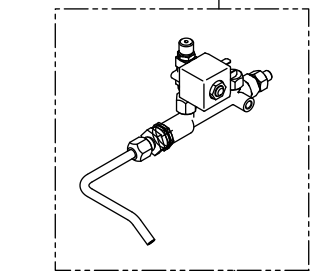
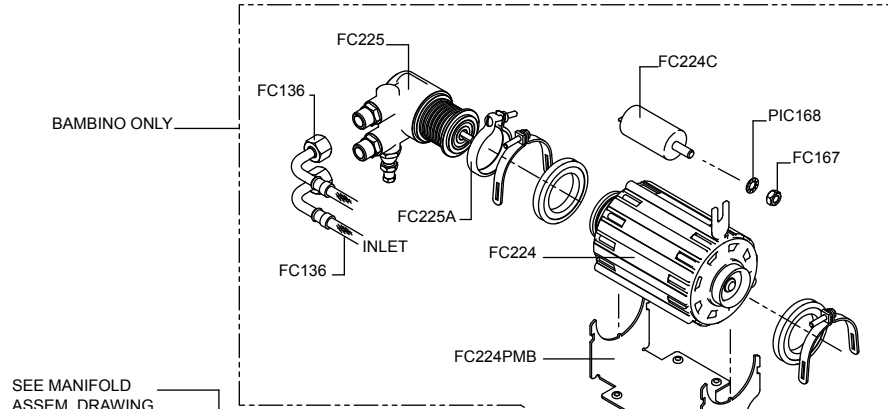
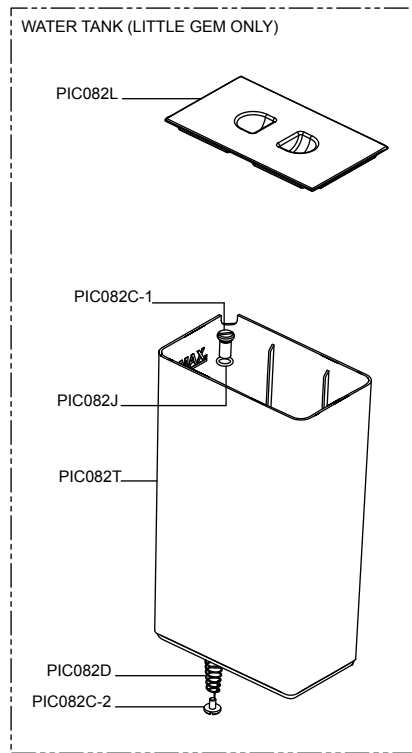
LITTLE GEM AND BAMBINO 1 GROUP

BODYWORK

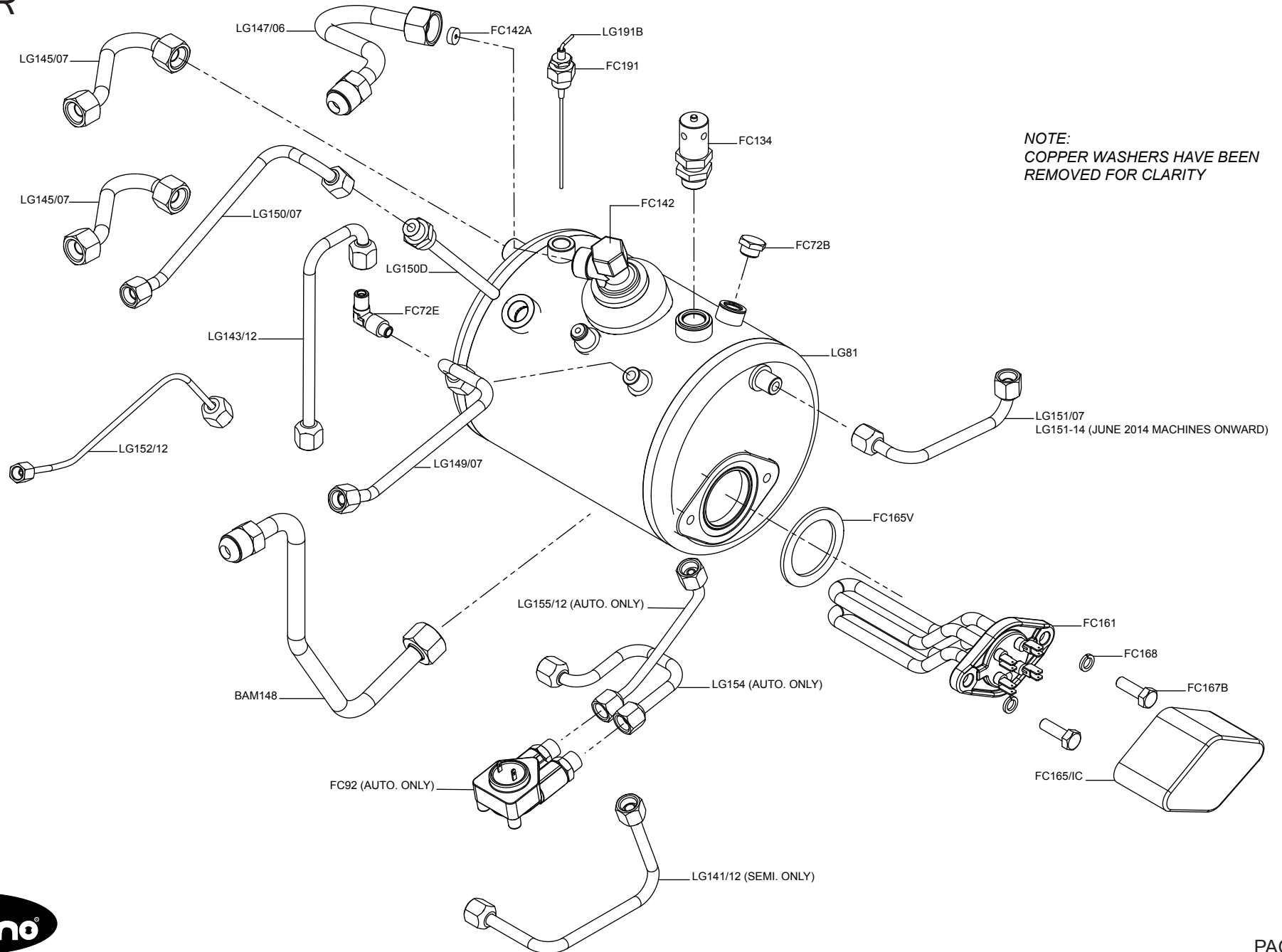


LITTLE GEM AND BAMBINO 1 GROUP

CHASSIS



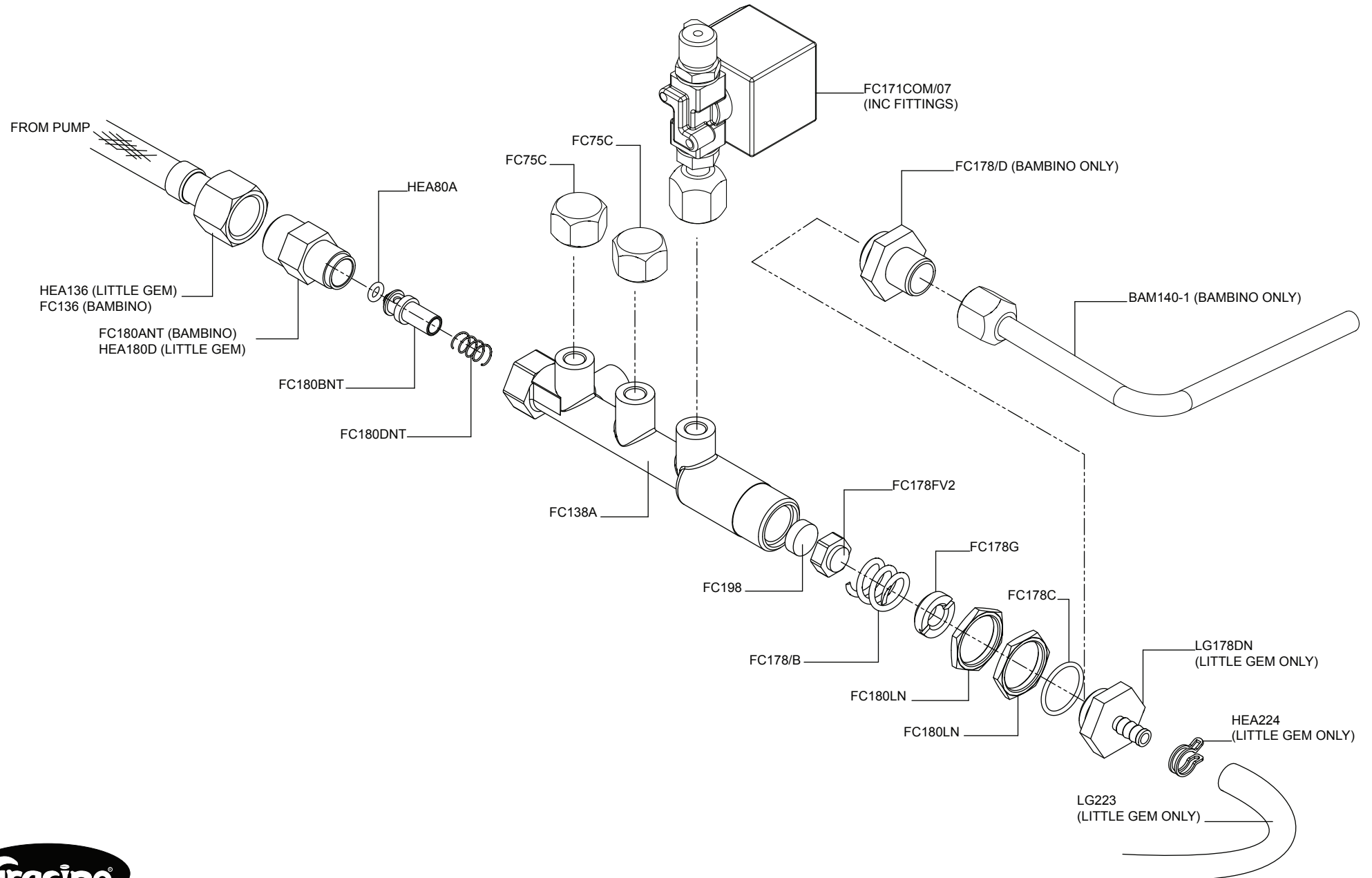
LITTLE GEM AND BAMBINO 1 GROUP BOILER



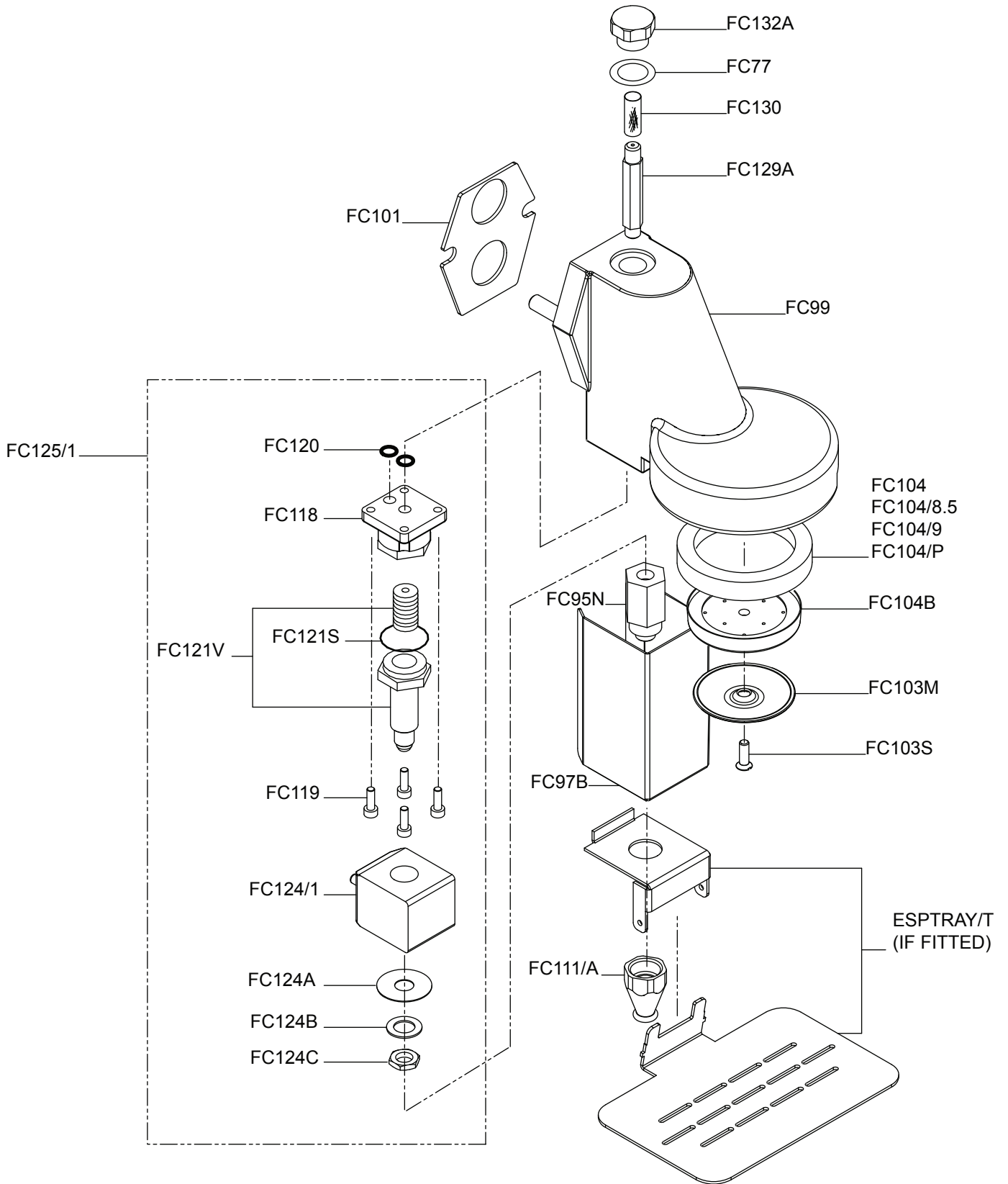
NOTE:
COPPER WASHERS HAVE BEEN
REMOVED FOR CLARITY



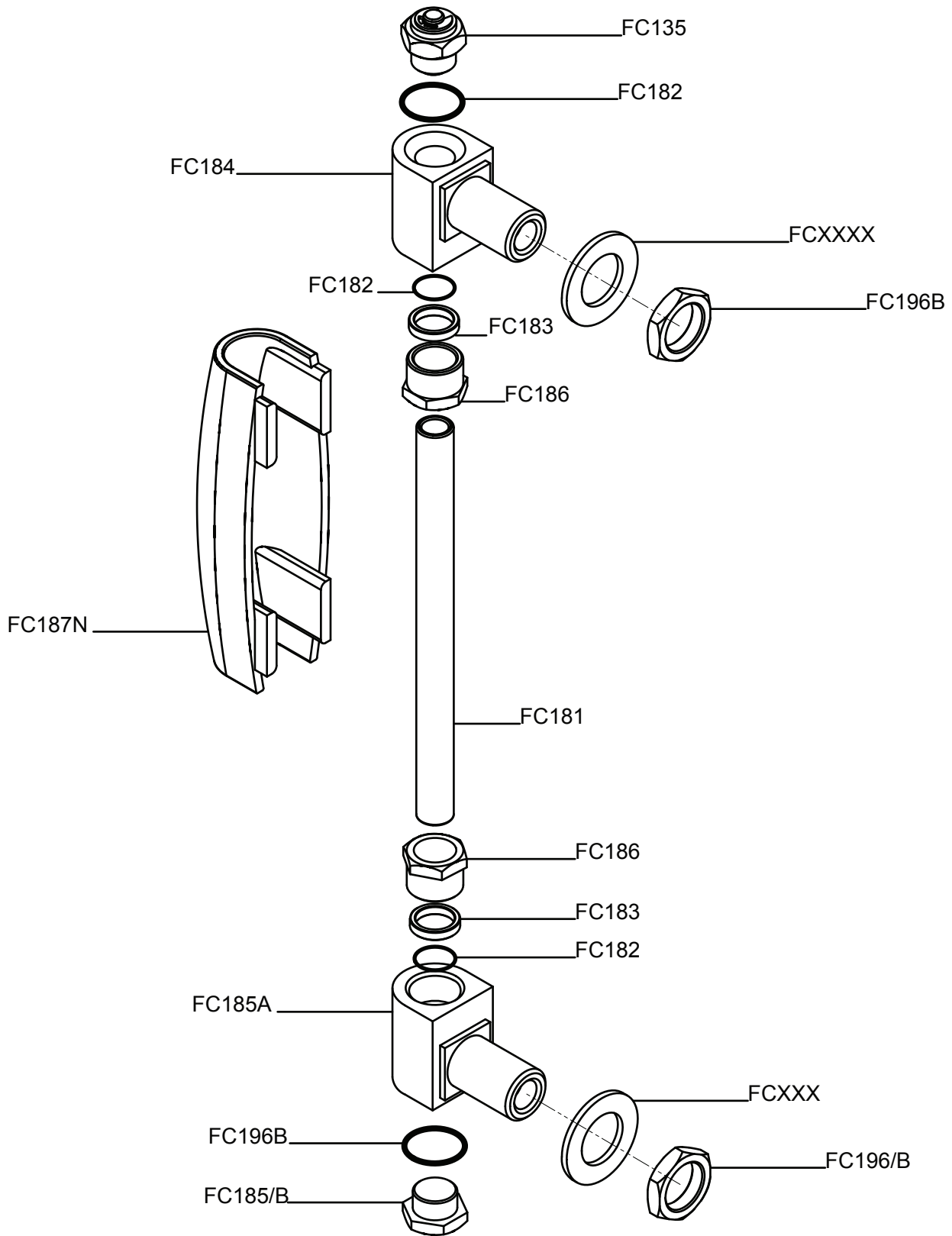
LITTLE GEM AND BAMBINO 1 GROUP MANIFOLD



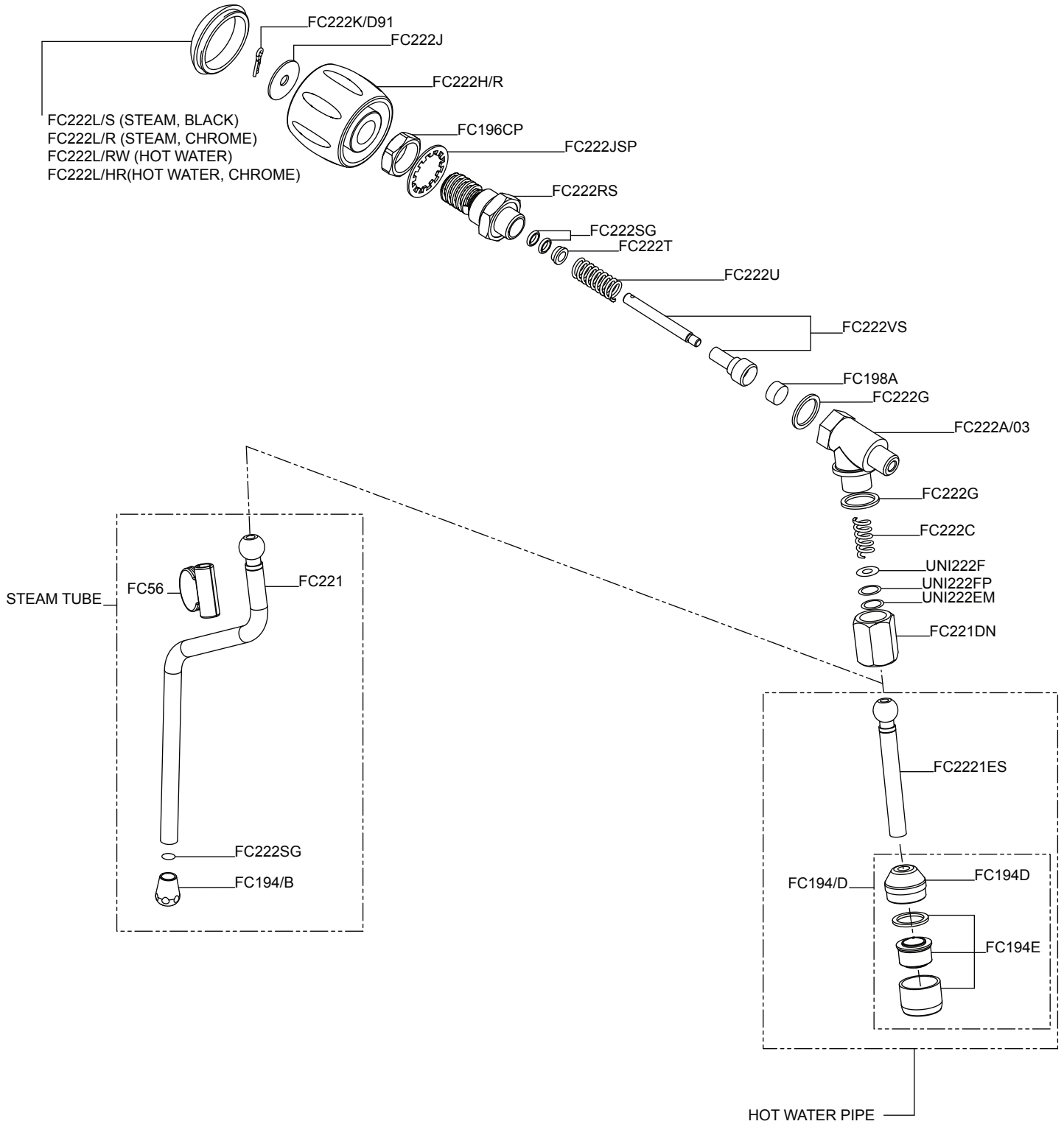
LITTLE GEM AND BAMBINO 1 GROUP GROUP



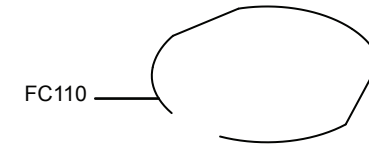
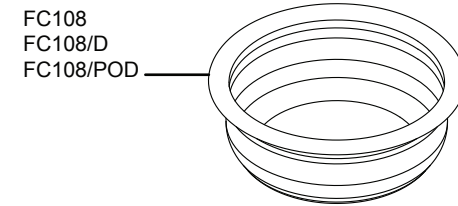
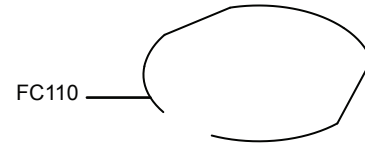
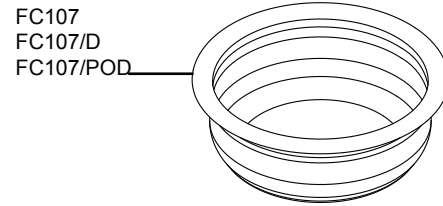
LITTLE GEM AND BAMBINO 1 GROUP SIGHT GLASS



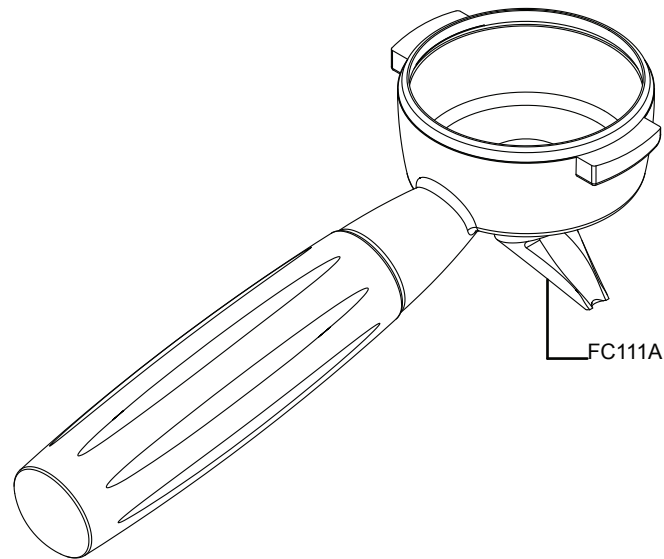
LITTLE GEM AND BAMBINO 1GROUP STEAM AND HOT WATER VALVES



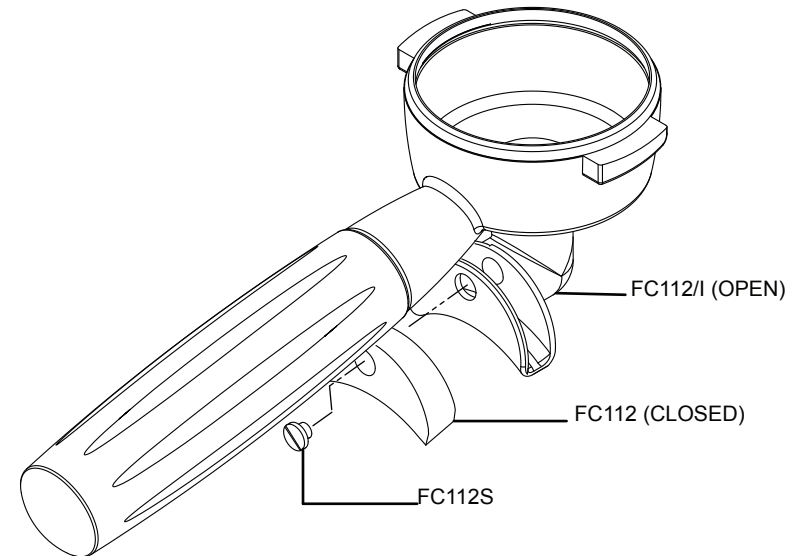
LITTLE GEM AND BAMBINO 1 GROUP FILTER HOLDERS



FC105: SINGLE FILTER HOLDER

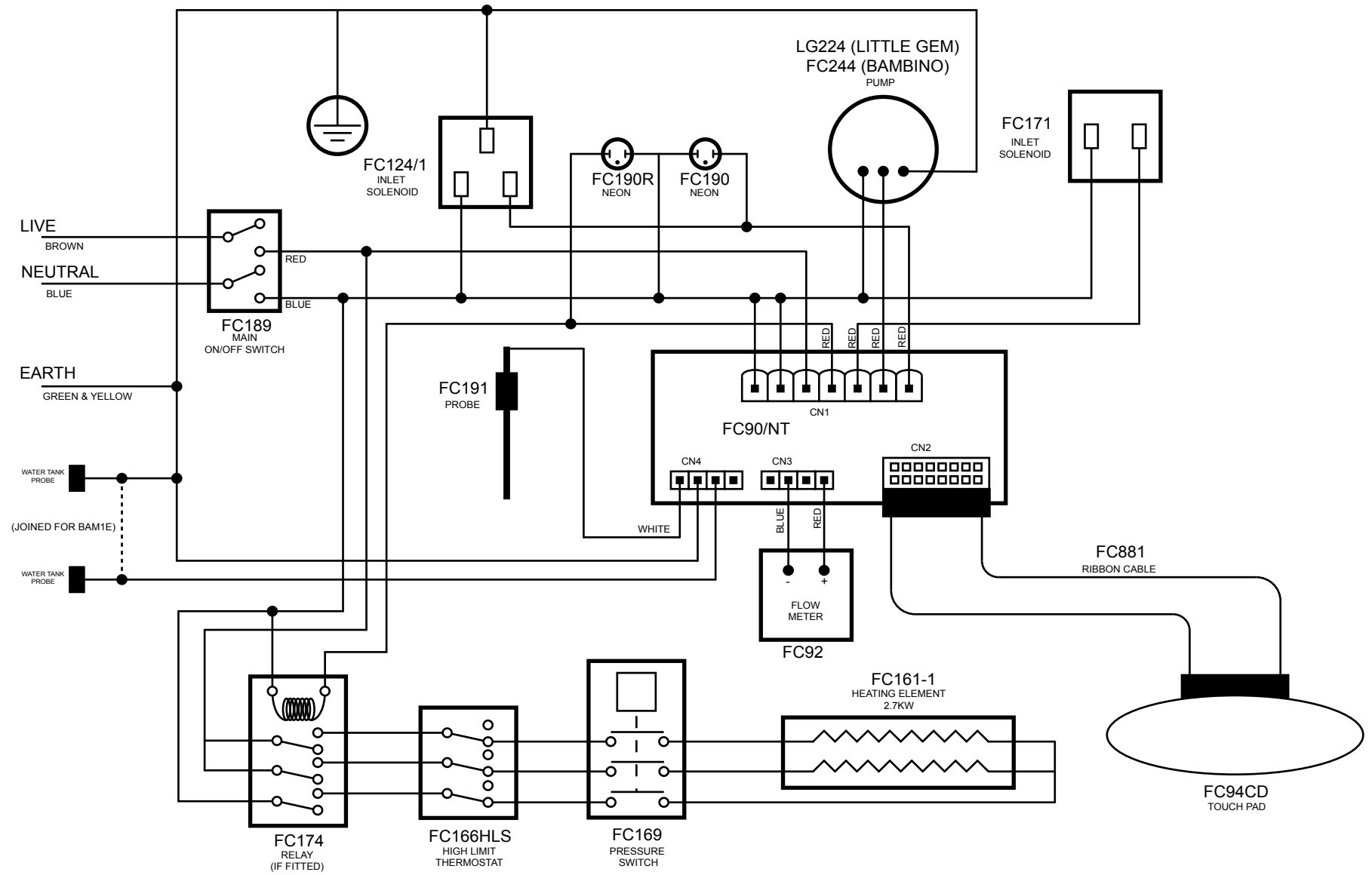


FC105A: DOUBLE FILTER HOLDER



LITTLE GEM AUTO AND BAMBINO 1 GROUP AUTO

WIRING DIAGRAM



LITTLE GEM AND BAMBINO 1 GROUP

LG1, LG1E, BAM1, BAM1E

PARTS LIST – June 2012 Onward

| PART NO | DESCRIPTION |
|---------------------|--|
| BODYWORK PG1 | |
| BAM-1-003A | FRONT PANEL (AUTOMATIC) |
| BAM-1-003 | FRONT PANEL (SEMI.) |
| BAM-1-005 | TOP PANEL BAMBINO |
| BAM-1-005T | TOP PANEL LITTLE GEM |
| CON-1-004-S | STANDARD WRAP ROUND (1 GROUP) |
| BAM242 | BLACK SIDE PANEL LEFT HAND |
| BAM242S | STAINLESS STEEL SIDE PANEL LEFT HAND |
| BAM243 | BLACK SIDE PANEL RIGHT HAND |
| BAM243S | STAINLESS STEEL SIDE PANEL RIGHT HAND |
| FC116C | GROMMET FRONT PANEL 25MM DIA |
| FC189 | MAINS ON/OFF AND GROUP SWITCH |
| FC189S/P | SWITCH SURROUND |
| FC190 | WATER FILLING NEON (AMBER) |
| FC190/R | WATER FILLING NEON (RED) |
| FC94CD | OVAL TOUCH PAD PCB |
| FC94D | TOUCH PAD MOUNTING PLATE |
| FC94G | S/STEEL BACK PLATE |
| FC75D | 1/4" LOCK NUT |
| LG179 | PRESSURE GAUGE |
| LG179A | PRESSURE GAUGE BRACKET FOR 2010 ON 50mm GAUGES |
| UNI-1-004 | DRIP TRAY ONE GROUP |
| UNI-1-003 | DRIP TRAY GRID ONE GROUP |
| CHASSIS PG2 | |
| BAM-1-001 | BAMBINO 1GRP AND LITTLE GEM CHASSIS BASE |
| BAM-1-002 | BAMBINO 1GRP AND LITTLE GEM CHASSIS FRONT |
| BAM-1-006 | BACK PANEL BAMBINO 1 GRP AND LITTLE GEM |
| BAM-1-010 | BAMBINO 1 GRP AND LITTLE GEM BASE PLATE |
| BAM-1-020 | WATER TANK HOUSING |
| CHE060 | 35MM BLANK PLUG FOR CHASSIS |
| FC116B | GROMMET 3MM PANEL |
| FC166HLS | HIGH LIMIT MANUAL RESET THERMOSTAT |
| FC169/2P | PRESSURE SWITCH 2 POLE 20AMP |
| FC169A | PRESSURE SWITCH LOCK NUT |
| FC172/A | WATER LEVEL CONTROL (SEMI) |
| FC224 | FEET |
| FC224C | CAPACITOR |
| FC224PMB | PUMP MOTOR BRACKET |
| FC224R | PUMP MOTOR |
| FC225 | PUMP |
| FC225A | PUMP CLIP |
| GEM-017 | PRESSURE SWITCH BRACKET |
| HEA083 | 6.3mm MALE FASTON |
| HEA083C | M4 NYLOC NUT |
| HEA225 | 1/8" x 1/8" SPECIAL ELBOW |

| | |
|---------------------|---|
| LG136C | SILICON FEED TUBE TANK/PUMP |
| LG174 | RELAY |
| LG224 | VIBRATING PUMP |
| LG226A | PUMP SUPPORT BRACKET RUBBER |
| LG90/NT | AUTO ELECTRONIC CONTROL 1GRP |
| PIC005A | EXPANSION TUBE GROMMET |
| PIC082C-1 | VALVE PISTON FEMALE |
| PIC082C-2 | VALVE PISTON MALE |
| PIC082D | WATER TANK S/S CONICAL SPRING |
| PIC082E | WATER TANK LEVEL PROBE HOUSING |
| PIC082EC | CIRCLIP FOR LEVEL PROBE |
| PIC082F | WATER TANK PROBE S/S SPRING |
| PIC082G | WATER TANK VALVE |
| PIC082GC | WATER CONTAINER VALVE CIRCLIP |
| PIC082H | WATER TANK VALVE SEAL |
| PIC082I | WATER CONTAINER CONNECTOR SPIGOT |
| PIC082J | WATER TANK PISTON O-RING |
| PIC082K | SPRING LOADED PROBES |
| PIC082L | WATER TANK LID |
| PIC082T | WATER TANK |
| | |
| | |
| BOILER PG3 | |
| | |
| BAM148 | BOTTOM HEAT EX TO GROUP PIPE |
| FC134 | SAFETY VALVE SEALED |
| FC142 | HEAT EX. TOP ELBOW 'B' TYPE |
| FC142A | RESTRICTOR 82-84 DEG C |
| FC161 | ELEMENT 2.7KW 230V |
| FC165/IC | ELEMENT INSULATED COVER |
| FC165V | ELEMENT GASKET |
| FC167B | M8 ELEMENT HEX BOLT |
| FC168 | ELEMENT SPRING WASHER |
| FC191 | PROBE HOUSING |
| FC72B | 1/4" BSP MALE BLANK NUT |
| FC72E | 1/4" X 1/4" BSP ELBOW |
| FC92 | FLOWMETER |
| LG141/12 | MANIFOLD TO BOTTOM HEAT EX. (SEMI) JUNE 2012 ONWARD |
| LG143/12 | INLET SOLENOID TO BOILER |
| LG145/07 | SIGHT GLASS PIPE |
| LG147/06 | TOP GROUP TO HEAT EX. PIPE |
| LG149/07 | BOILER TO STEAM VALVE PIPE 2007 ONWARD |
| LG150/07 | BOILER TO HOT WATER VALVE |
| LG150D | HOTWATER DIP TUBE |
| LG151/07 | BOILER TO PRESSURE SWITCH PIPE 09/07 ONWARD |
| LG152/12 | BOILER TO PRESSURE GAUGE PIPE JUNE 2012 ONWARDS |
| LG154 | MANIFOLD TO FLOW METER AUTO 2006 ONWARD |
| LG155/12 | FLOW METER TO HEAT EX. PIPE JUNE 2012 ONWARD |
| LG191B | WATER LEVEL PROBE BOILER |
| LG81 | BOILER 4 LITRE LITTLE GEM |
| | |
| | |
| MANIFOLD PG4 | |
| | |
| BAM140-1 | EXPANSION TO WASTE CUP |
| FC136 | FLEXI HOSE 3/8" ELBOW X 3/8" STRAIGHT 2.5M LONG |
| FC138A | MANIFOLD BODY FORGED EXP/NRV 2004 ONWARD |
| FC171COM/07 | INLET SOLENOID VALVE INC FITTINGS 2004 ONWARD |

| | |
|------------------------|---|
| FC178/B | SPRING |
| FC178/D | 3/8" X 1/4" SPECIAL FITTING |
| FC178C | EXPANSION VALVE "O" RING |
| FC178FV2 | EXPANSION VALVE JUMPER FORGED MANIFOLD |
| FC178G | ADJUSTING SCREW FOR EXPANSION VALVE |
| FC180ANT | NON RETURN VALVE BODY |
| FC180BNT | NON RETURN VALVE JUMPER FORGED MANIFOLD 04 ONWARD |
| FC180DNT | NON RETURN VALVE SPRING |
| FC180LN | MANIFOLD LOCK NUT |
| FC198 | PAD WASHER |
| FC75C | 1/4" BSP CAP NUT |
| HEA136 | 1/8" X 1/8" FLEXI HOSE PUMP TO MANIFOLD |
| HEA180A | "O" RING NON RETURN VALVE JUMPER |
| HEA180D | NON RETURN VALVE HEAD |
| HEA224 | SPRING CLIP FOR SILICON TUBE |
| LG178DN | EXPANSION VALVE FITTING HOSE BARB FORGED MANIFOLD |
| LG223 | SILICON EXHAUST TUBE |
| GROUP PG5 | |
| ESPTRAY/T | ESPRESSO TRAY |
| FC101 | GROUP GASKET |
| FC103 | SHOWER PLATE |
| FC103M | SHOWER PLATE (SCREW VERSION) |
| FC103S | SHOWER PLATE SCREW |
| FC104 | FILTER HOLDER WASHER 8MM |
| FC104/8.5 | FILTER HOLDER WASHER 8.5MM |
| FC104/9 | FILTER HOLDER WASHER 9MM |
| FC104/P | FILTER HOLDER WASHER PACKING |
| FC104B | FILTER HOLDER WASHER LOCKING PLATE |
| FC111/A | SINGLE BEAK STRAIGHT NOZZLE |
| FC118 | SOLENOID BASE |
| FC119 | SOLENOID BASE SCREW |
| FC120 | SOLENOID BASE "O" RINGS |
| FC121S | "O" RING SOLENOID OUTER CASE |
| FC121V | SOLENOID NUCLEUS VITON PLUNGER KIT |
| FC124/1 | COIL NEW TYPE WITH WIRES |
| FC124A | COIL RETAINING FLAT WASHER |
| FC124B | COIL RETAINING SPRING WASHER |
| FC124C | COIL RETAINING LOCK NUT |
| FC125/1 | GROUP SOLENOID NEW STYLE WITH WIRES |
| FC129A | GROUP JET |
| FC130 | GROUP JET FILTER |
| FC132A | TOP JET HOLDER |
| FC77 | COPPER WASHER 3/8" MALE |
| FC95N | EXHAUST FITTING |
| FC97B | GROUP COWL |
| FC99 | GROUP BODY |
| SIGHT GLASS PG6 | |
| FC135 | AIR RELEASE VALVE |
| FC181 | SIGHT GLASS |
| FC182 | SIGHT GLASS "O" RING |
| FC182 | SIGHT GLASS "O" RING |
| FC183 | SIGHT GLASS BRASS RING |
| FC184 | SIGHT GLASS TOP HOLDER |
| FC185 | SIGHT GLASS BOTTOM HOLDER |

| | |
|---|--|
| FC185/B | SIGHT GLASS DRAIN PLUG (CHROME) 1/4" |
| FC186 | SIGHT GLASS GLAND NUT CHROME |
| FC187N | SIGHT GLASS COVER 04/05 ONWARD |
| FC196/B | LOCK NUT 3/8" SIGHT GLASS |
| FC196C | |
| | |
| STEAM AND HOT WATER VALVES PG7 | |
| | |
| | |
| FC194/B | STEAM JET NOZZLE STANDARD |
| FC194/D | COMPLETE HOT WATER NOZZLE ASSEMBLY |
| FC194D | NON SPLASH HOT WATER NOZZLE |
| FC194E | ANTI-SPLASH HOT WATER MESH ASSEM. |
| FC196CP | 1/2" CHROME LOCKNUT |
| FC198A | PAD WASHER |
| FC221 | STEAM PIPE |
| FC221A | HOT WATER TUBE S/STEEL |
| FC221DN | STEAM/WATER TUBE NUT |
| FC222A/03 | STEAM/WATER VALVE BODY |
| FC222C | SPRING (STEAM TUBE) |
| FC222G | COPPER VLAVE SEAL |
| FC222H/R | HAND WHEEL |
| FC222J | PENNY WASHER VALVE HANDLE |
| FC222JSP | EXTERNAL SHAKE PROOF WASHER |
| FC222K/D91 | "R" HOLDING CLIP |
| FC222L/HR | CAP HOT WATER CHROME |
| FC222L/R | CAP STEAM CHROME |
| FC222L/RS | CAP STEAM BLACK |
| FC222L/RW | CAP HOT WATER BLACK |
| FC222RS | VALVE HEAD 09/03 ONWARD |
| FC222SG | STEM "O" RING |
| FC222T | VALVE COLLAR INSERT |
| FC222U | SPRING (VALVE STEM) |
| FC222VS | VALVE STEM |
| FC56 | SAFETY CLIP HANDLE STEAM PIPE |
| UNI222EM | SPHERICAL SEAL FOR TUBE NUT |
| UNI222F | WASHER FOR STEAM TUBE SWIVEL |
| UNI222FP | SPHERICAL SEAL FOR TOP BALL |
| | |
| | |
| FILTER HOLDERS PG8 | |
| | |
| FC107 | FILTER SINGLE 7GRAM |
| FC107/D | FILTER SINGLE DEEP |
| FC107/POD | SINGLE POD FILTER |
| FC110 | FILTER SPRING |
| FC105 | FILTER HOLDER COMPLETE (SINGLE) |
| FC111A | SINGLE BEAK CURVED 2006 ONWARD |
| FC108 | FILTER DOUBLE 12GRAM |
| FC108/D | FILTER DOUBLE DEEP 14GRAM |
| FC108/POD | DOUBLE POD FILTER SHALLOW 14GRAM |
| FC105A | FILTER HOLDER COMPLETE (DOUBLE) |
| FC112/I | DOUBLE BEAK OPEN |
| FC112 | DOUBLE BEAK CLOSED |
| FC112S | SPECIAL SCREW FOR S/STEEL COVER ON DOUBLE BEAK |

| | |
|-------------|---------------------------------------|
| | |
| | |
| <i>MISC</i> | |
| FC158R | POWER LEAD WITH MOULDED UK 13AMP PLUG |
| FC157/2.5 | CABLE RESTRAINING BUSH |
| LG160/08 | WIRING HARNESS L-GEM SEMI. AUTO |
| LG160 | WIRING HARNESS SEMI |
| | |