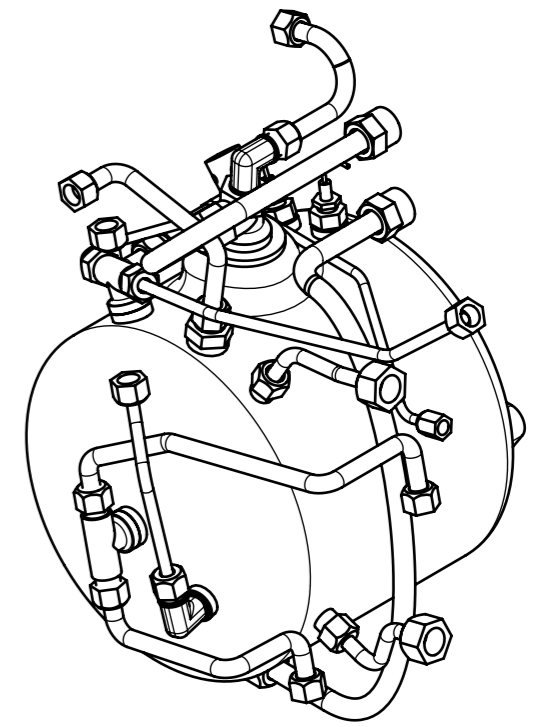
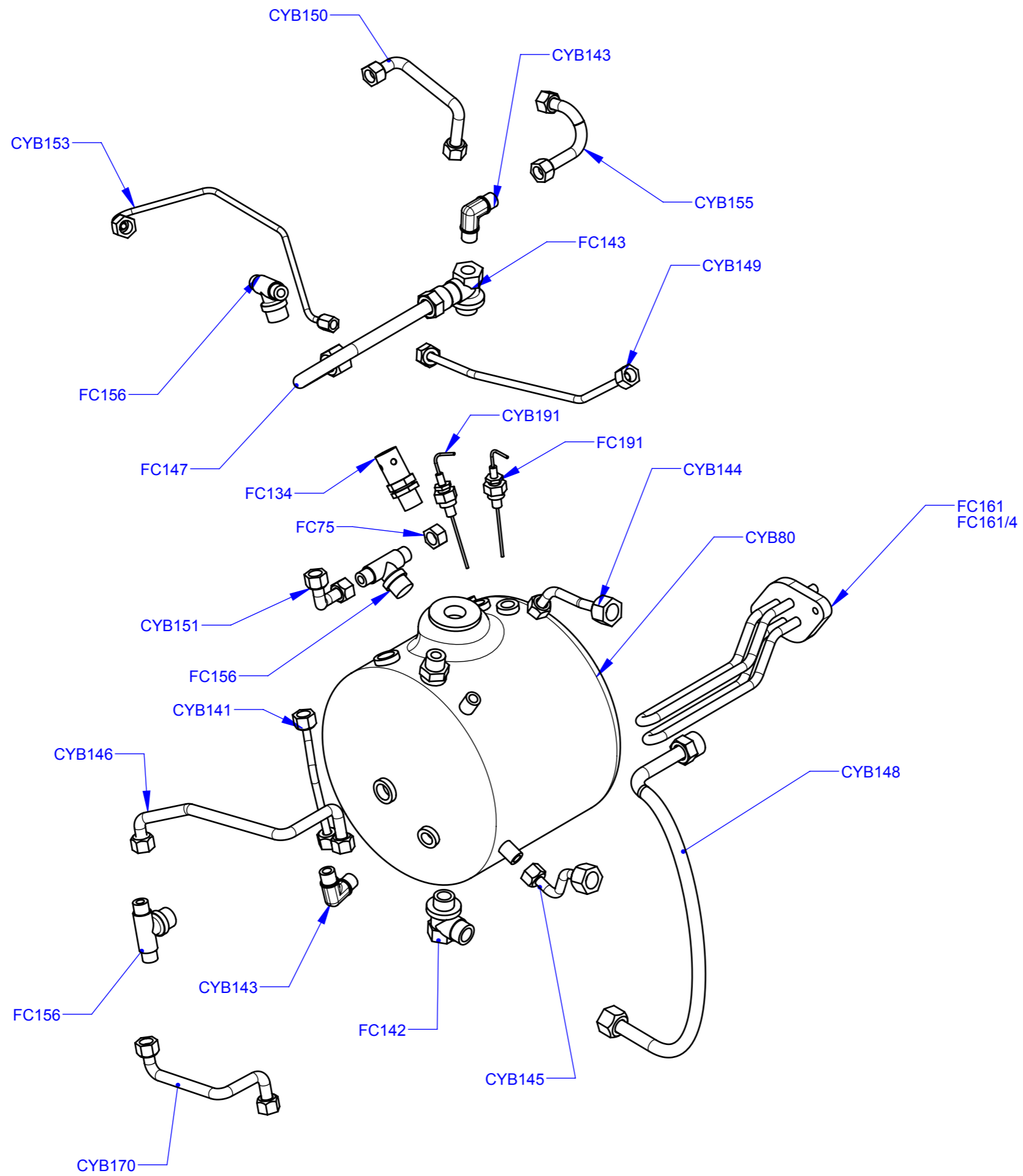


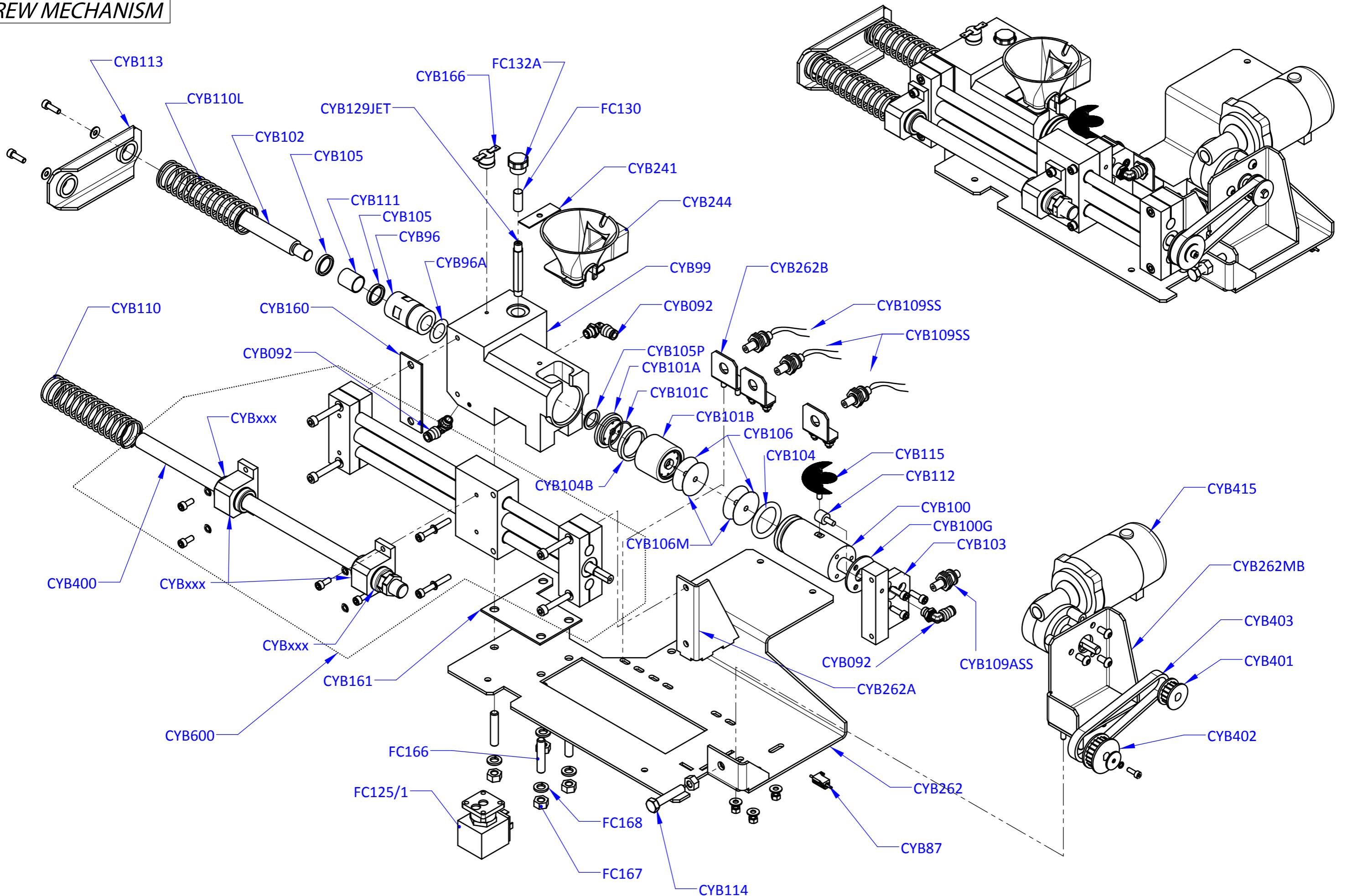
**BOILER**



**CYBERCINO COFFEE MACHINE**

© FRACINO 2009

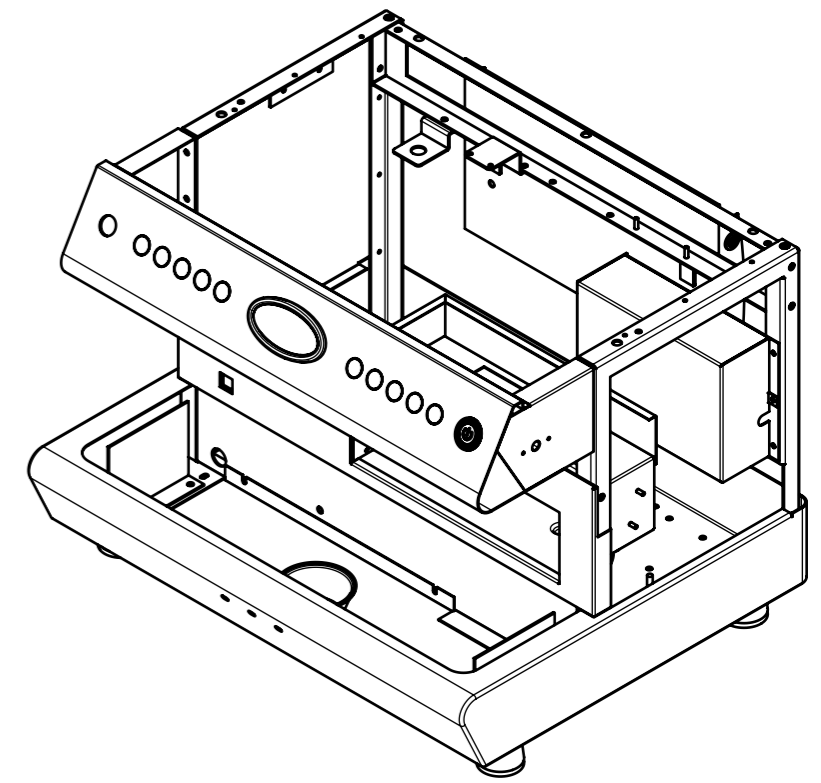
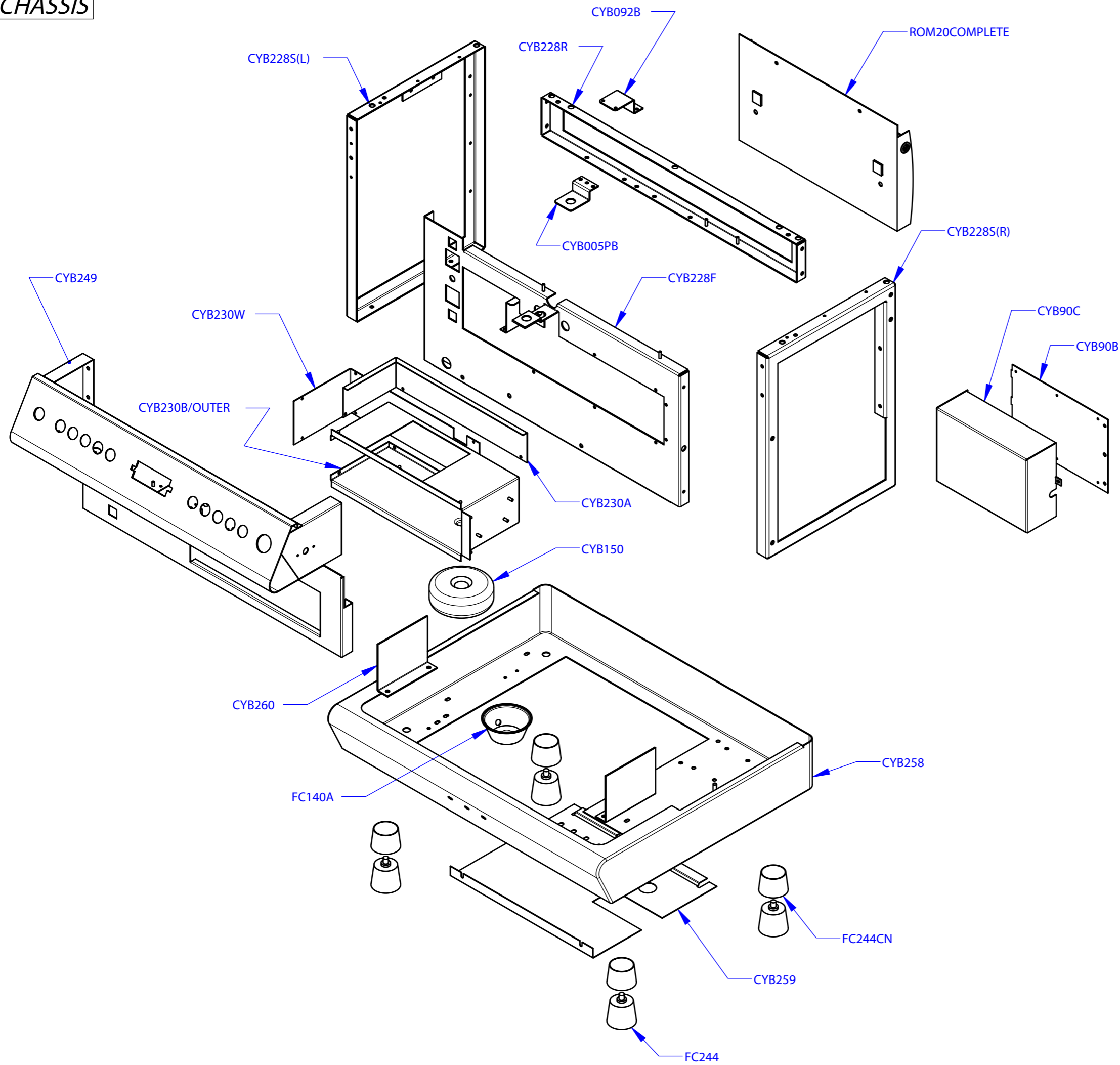
**BREW MECHANISM**



**CYBERCINO COFFEE MACHINE**

© FRACINO 2009

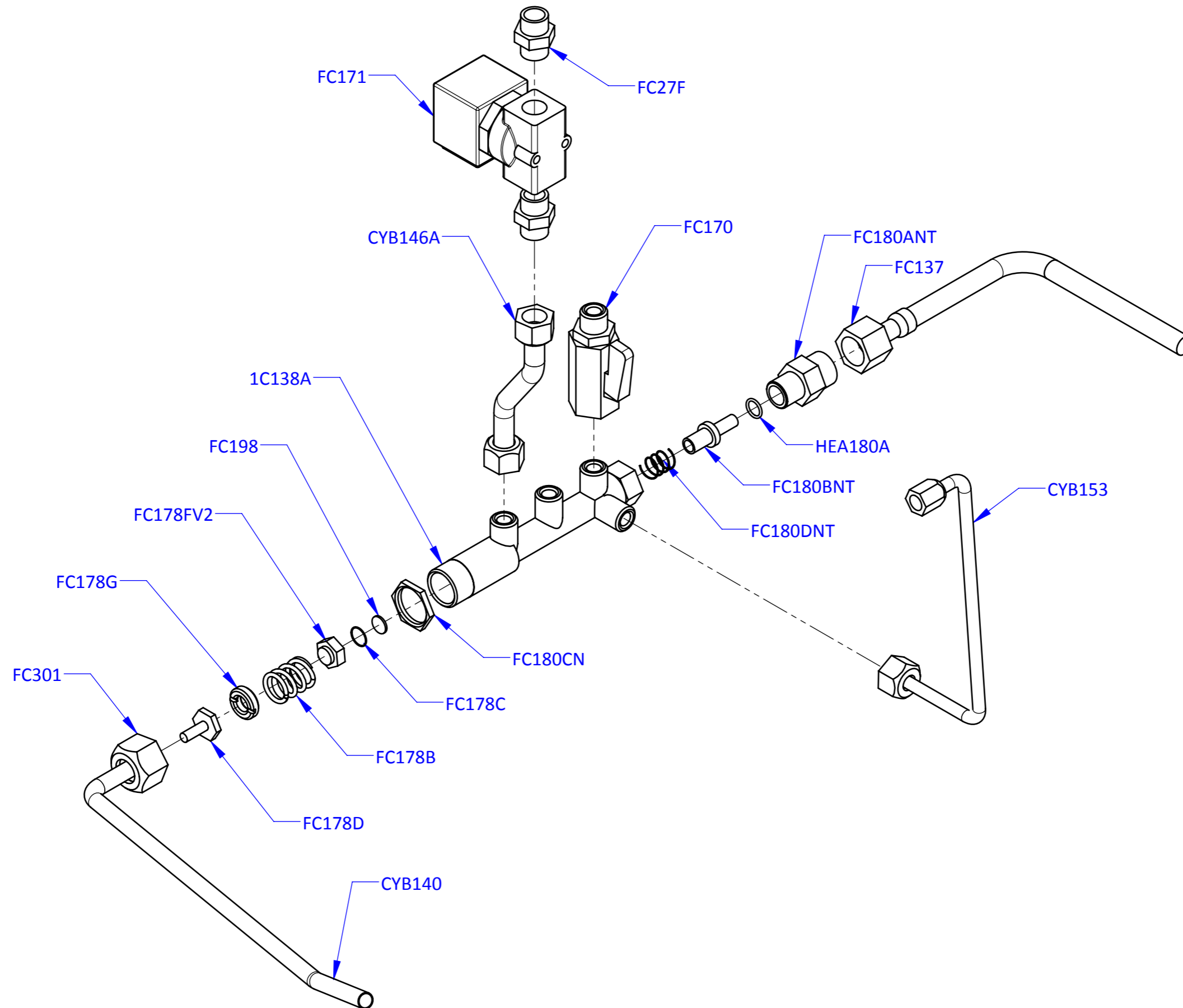
CHASSIS



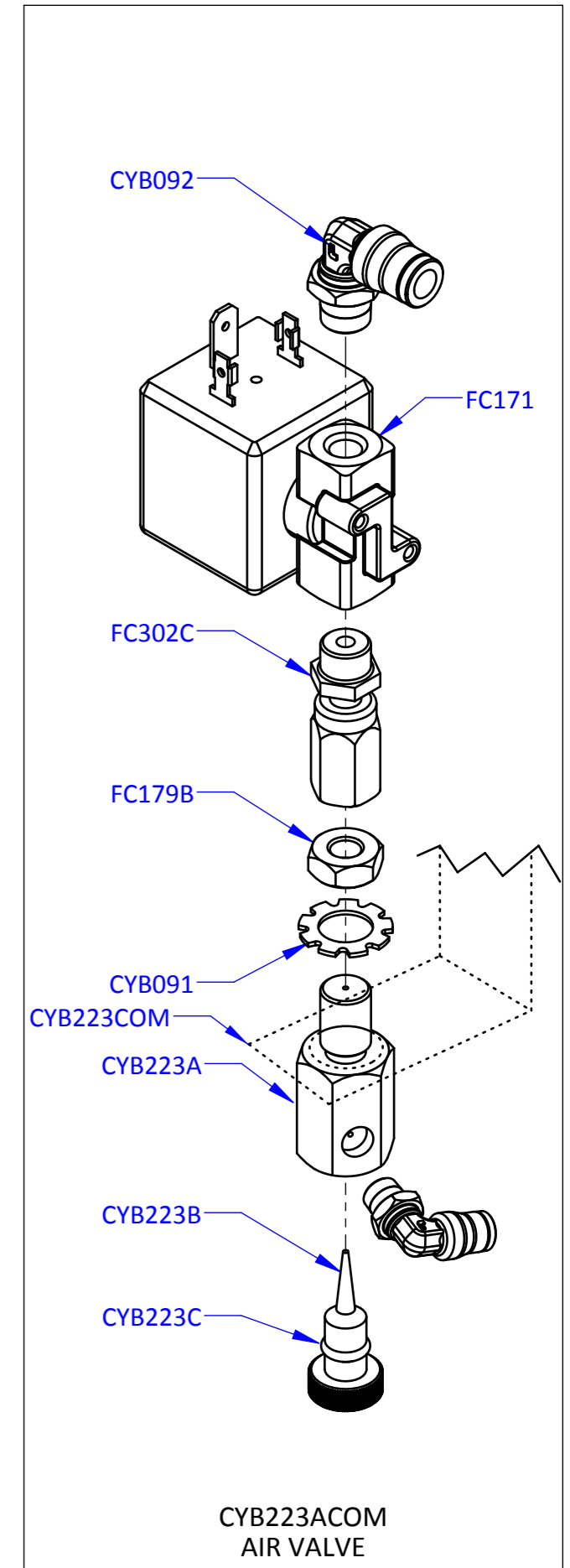
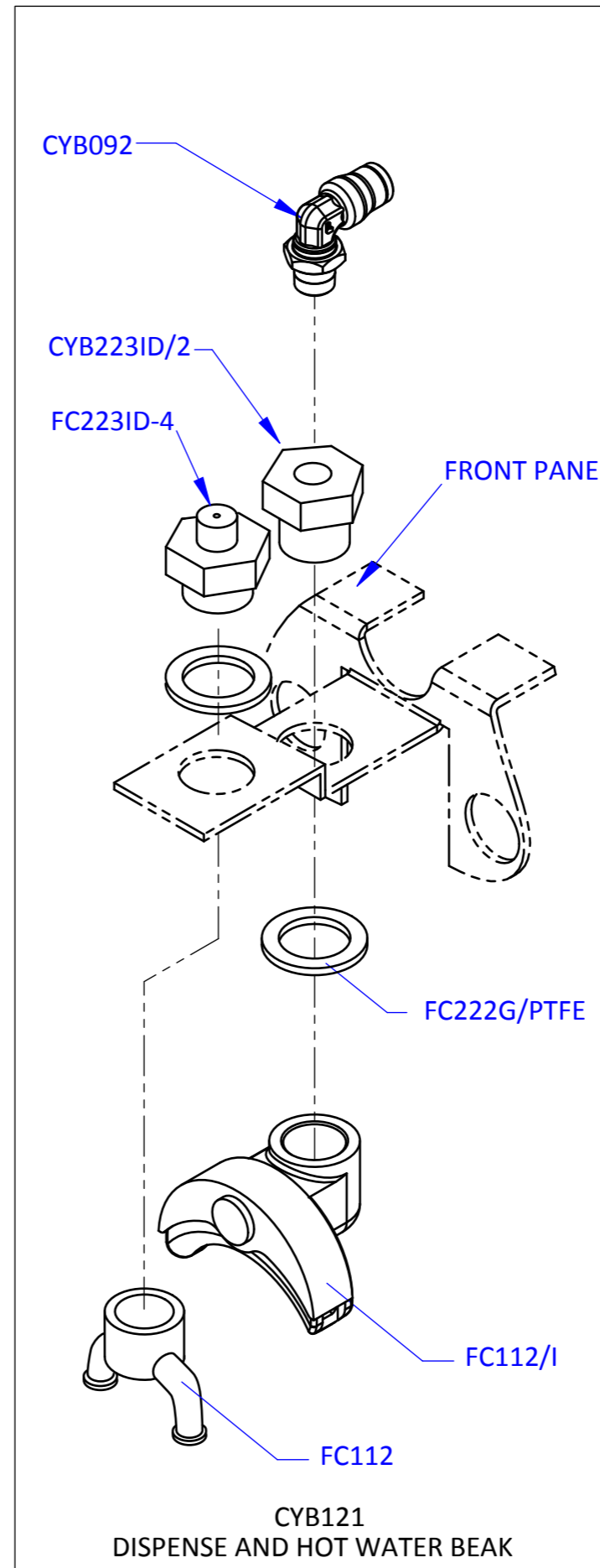
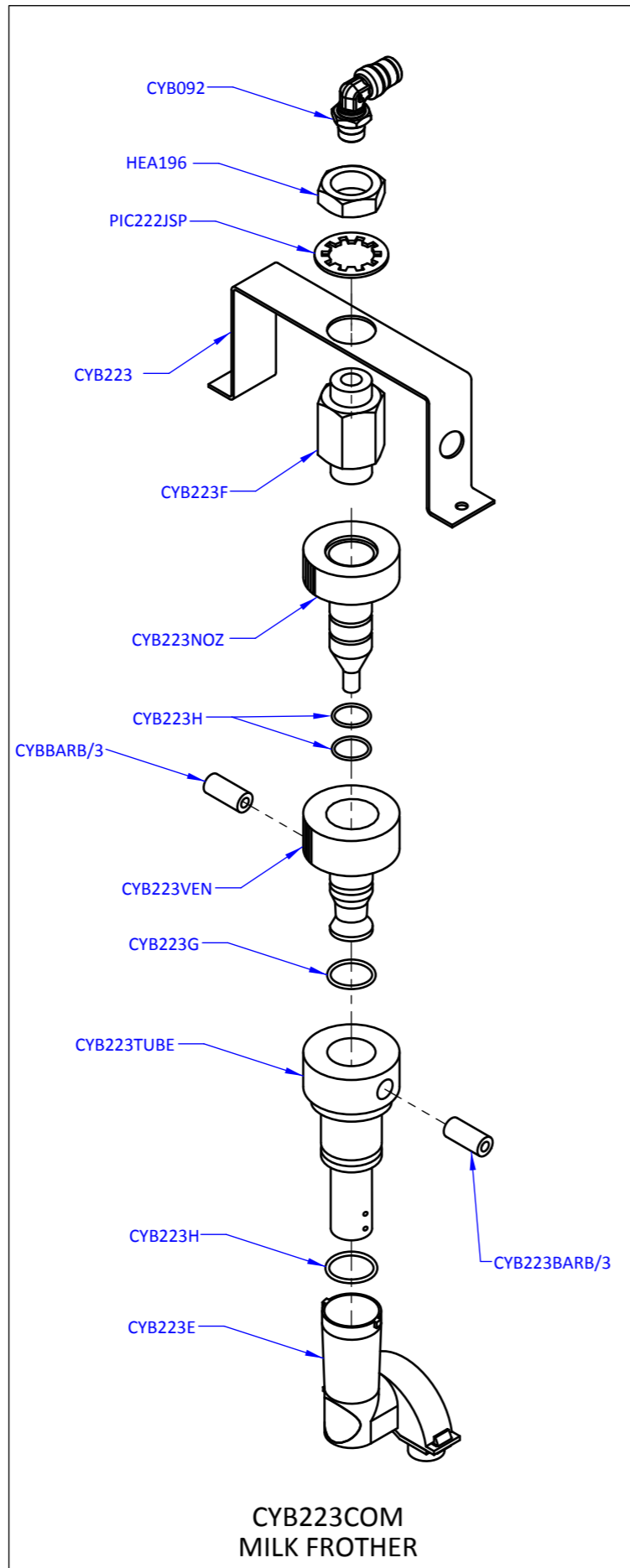
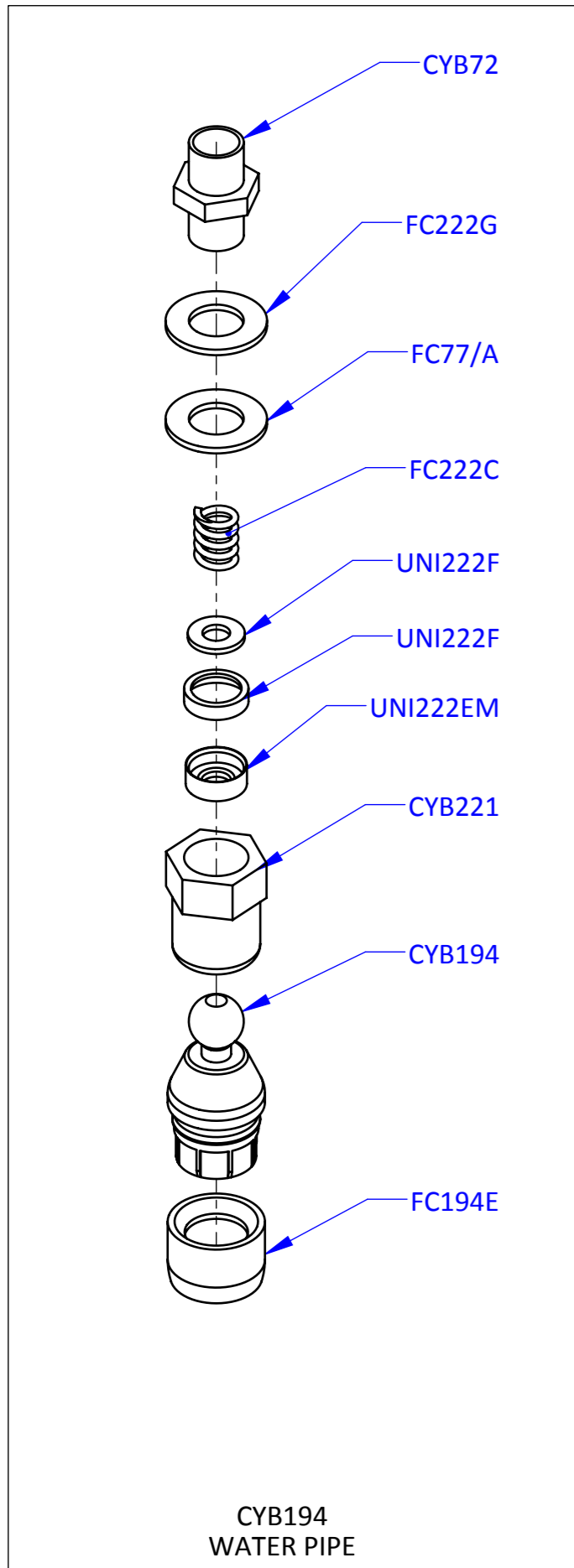
CYBERCINO COFFEE MACHINE

© FRACINO 2009

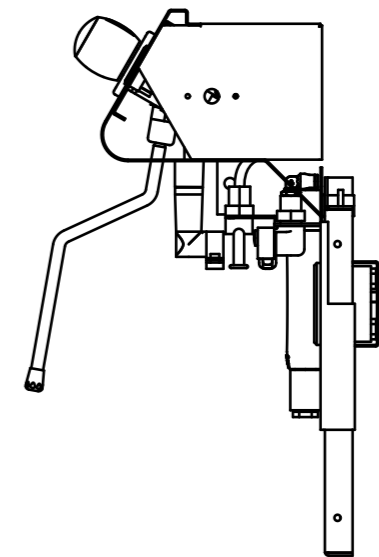
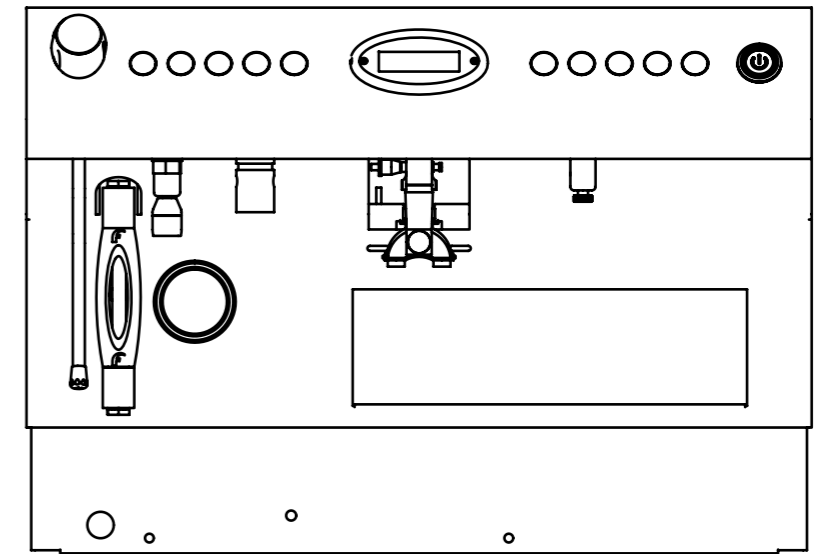
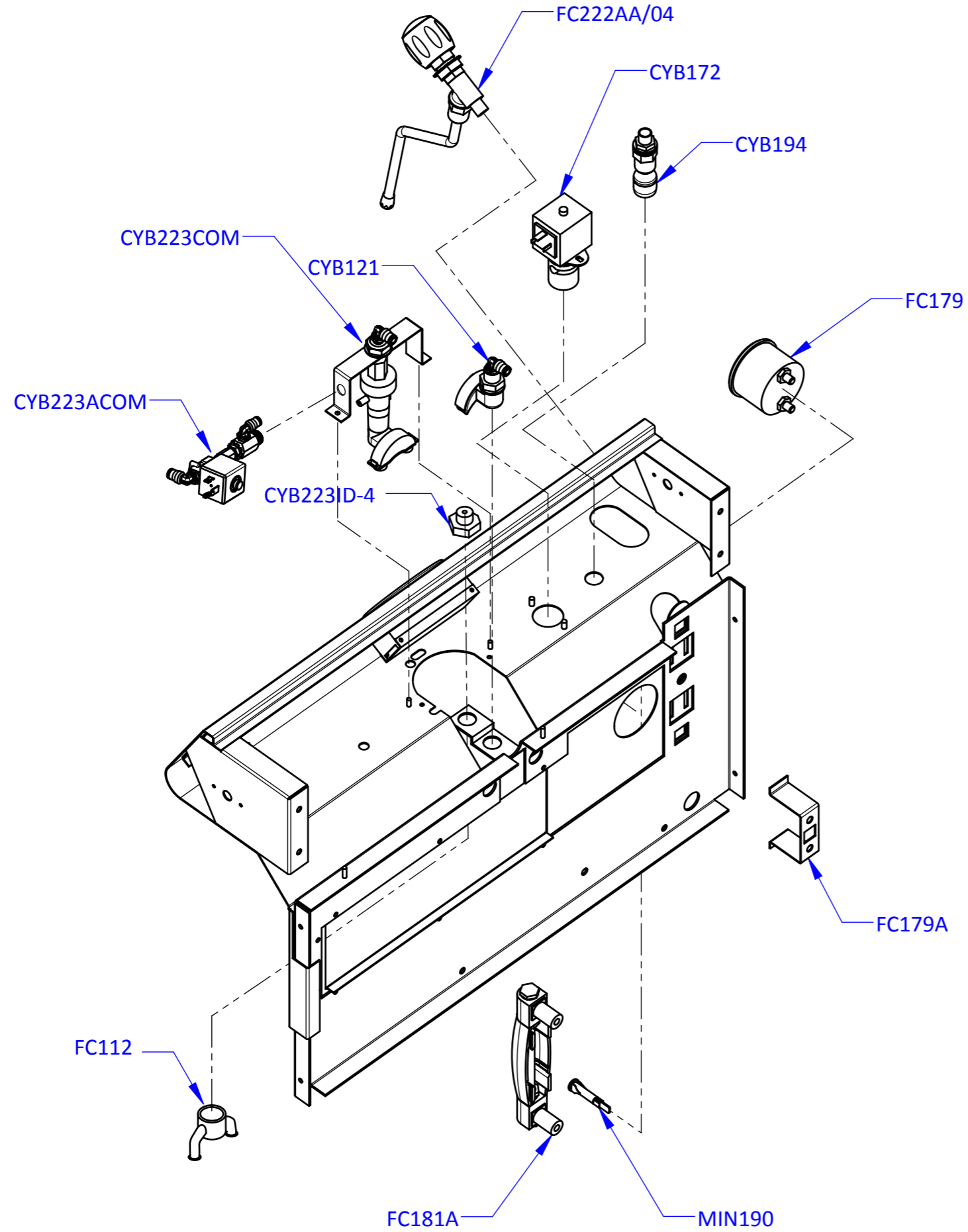
**LOWER MANIFOLD**



**FRONT CHANNEL COMPONENTS**



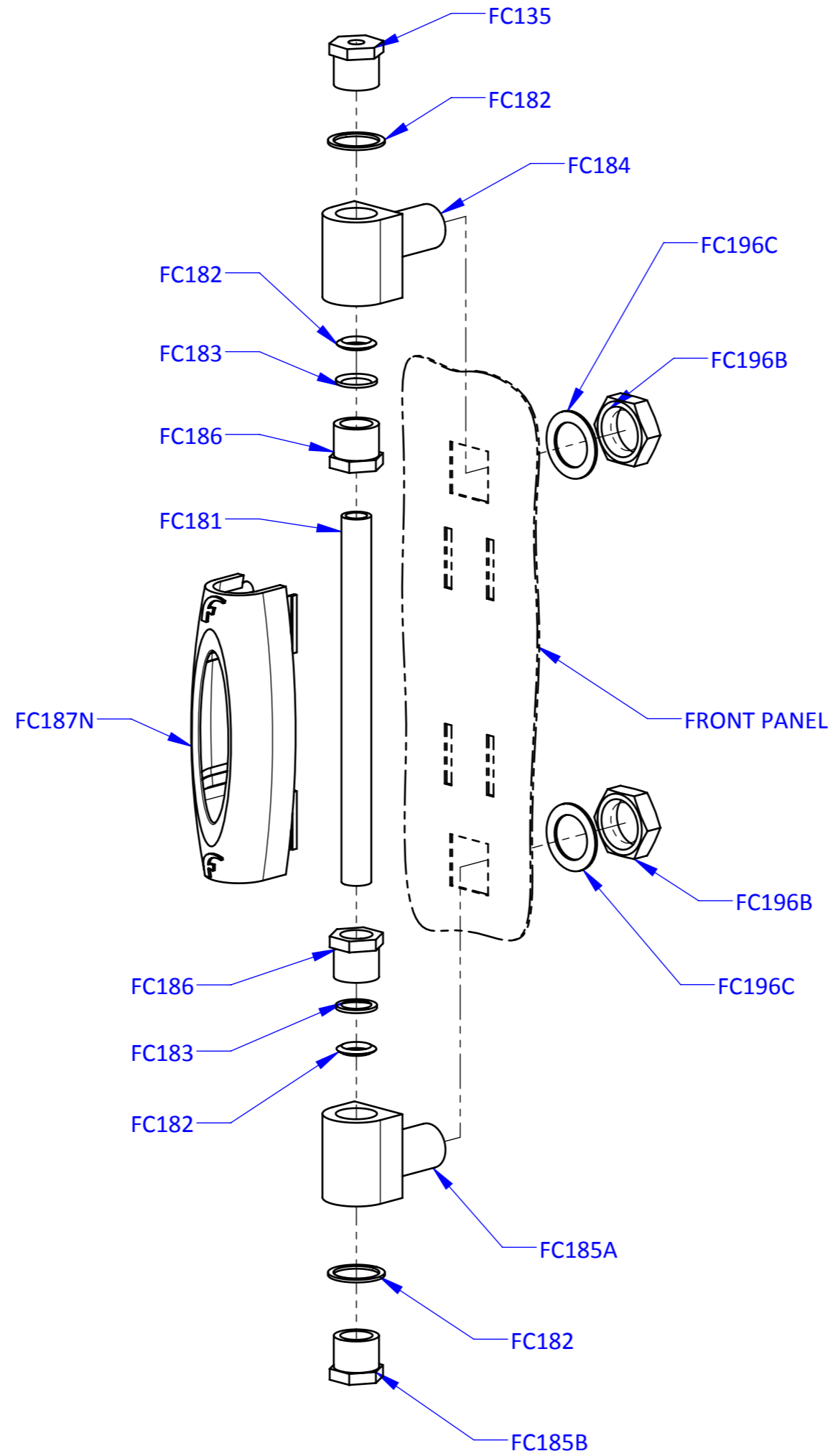
**DISPENSE COMPONENTS**



**CYBERCINO COFFEE MACHINE**

© FRACINO 2009

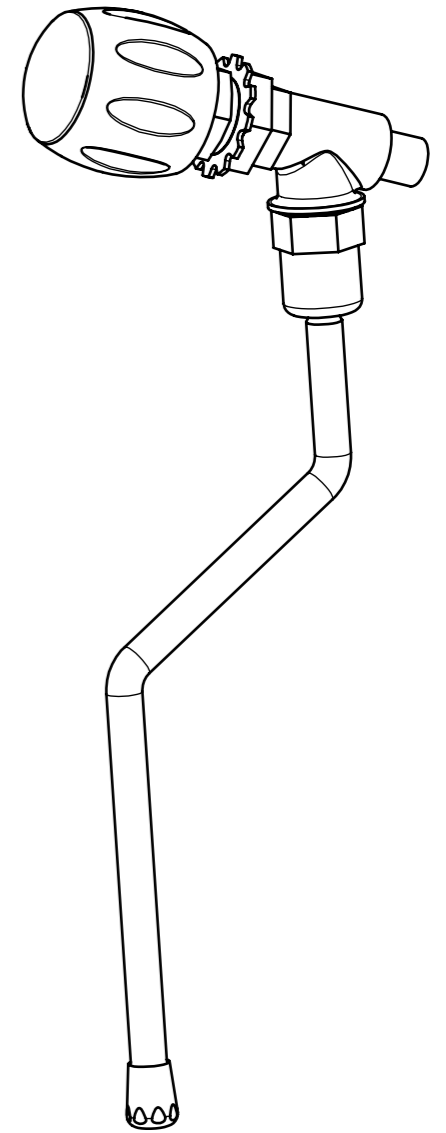
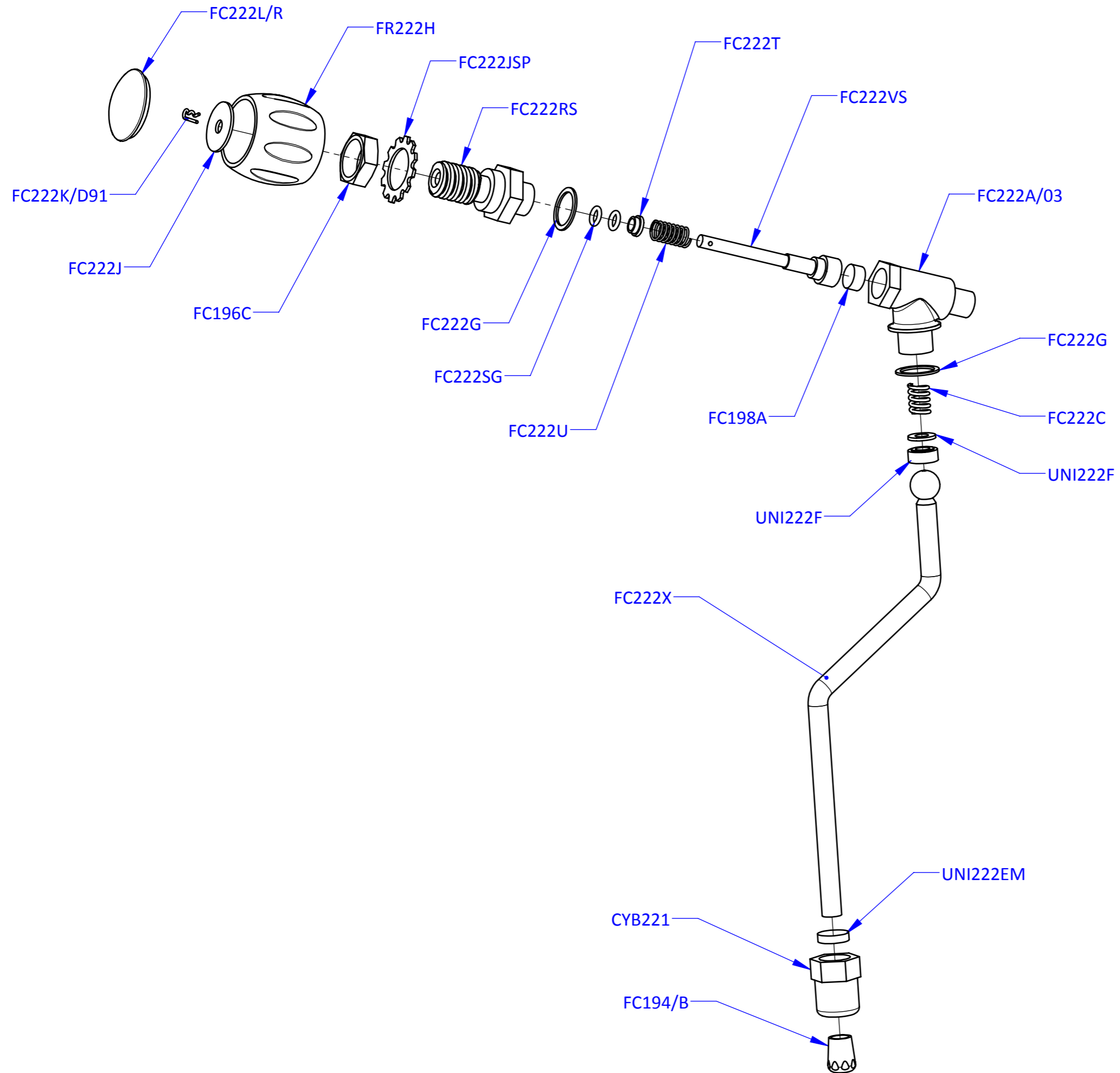
**SIGHT GLASS ASSEMBLY**



**CYBERCINO COFFEE MACHINE**

© FRACINO 2009

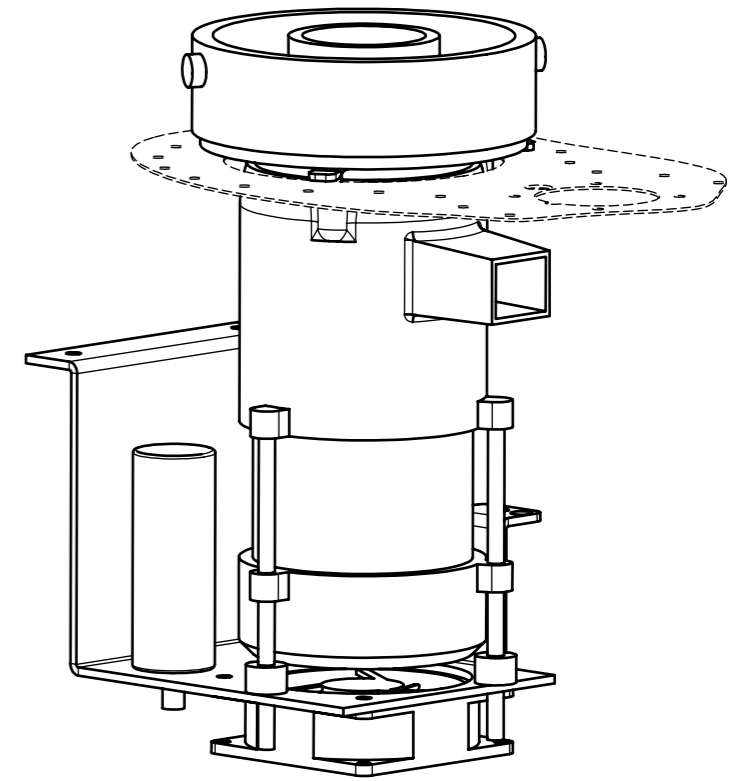
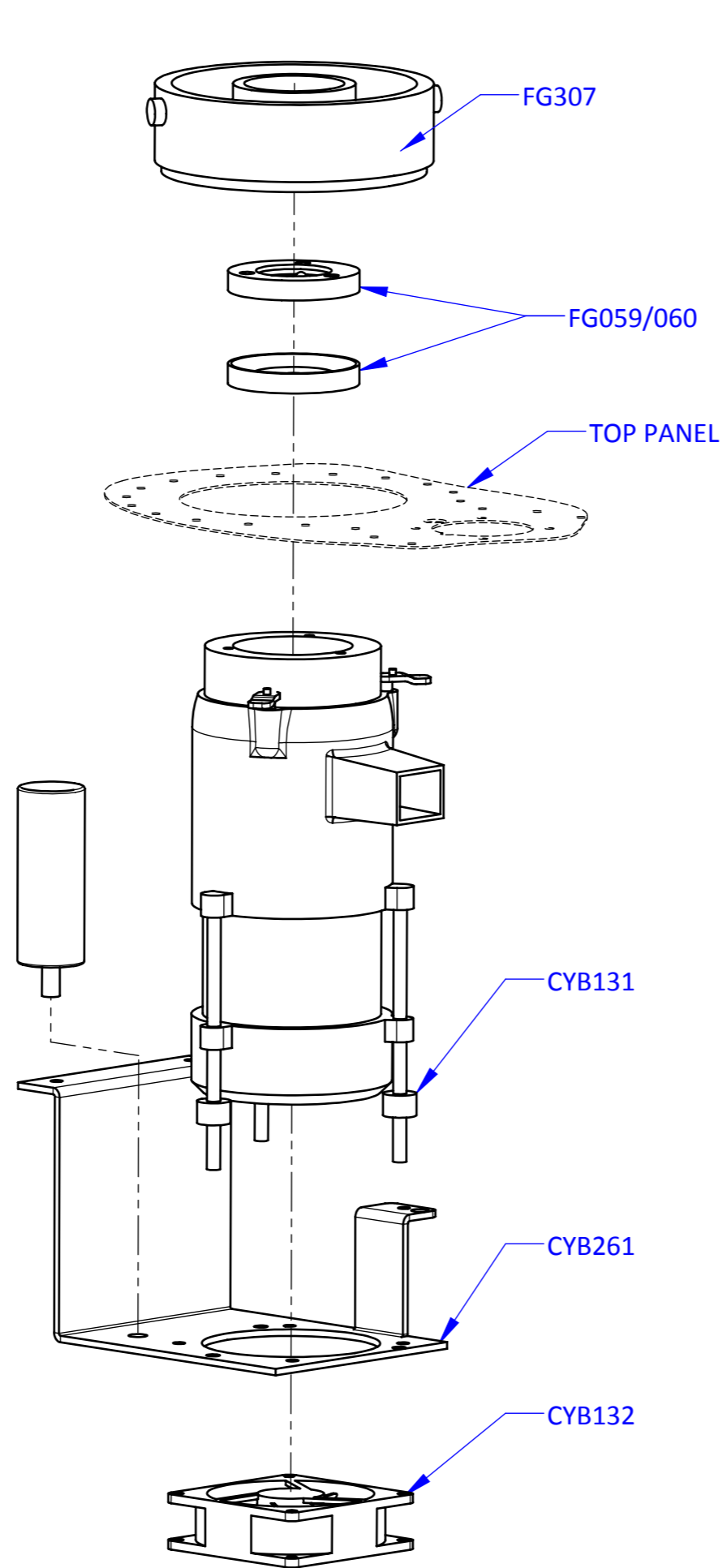
**STEAM ARM**



**CYBERCINO COFFEE MACHINE**

© FRACINO 2009

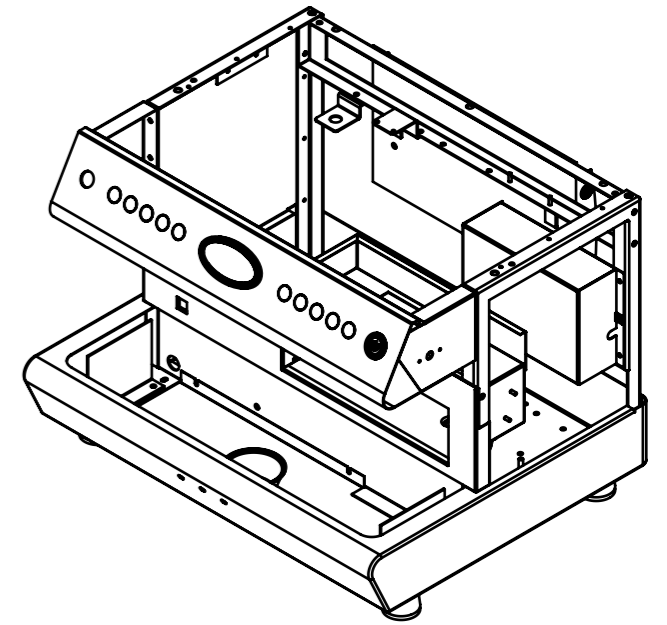
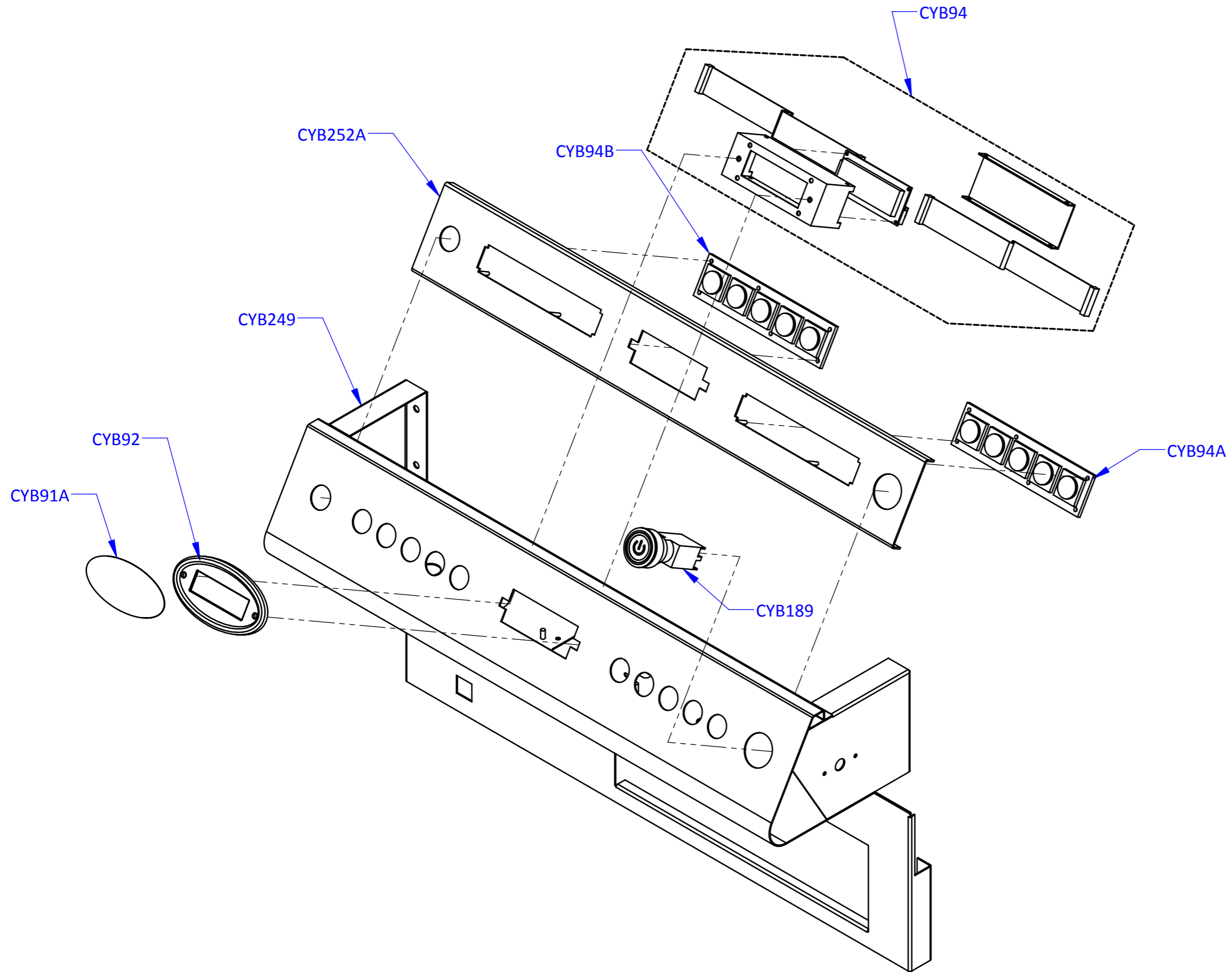
**GRINDER**



**CYBERCINO COFFEE MACHINE**

© FRACINO 2009

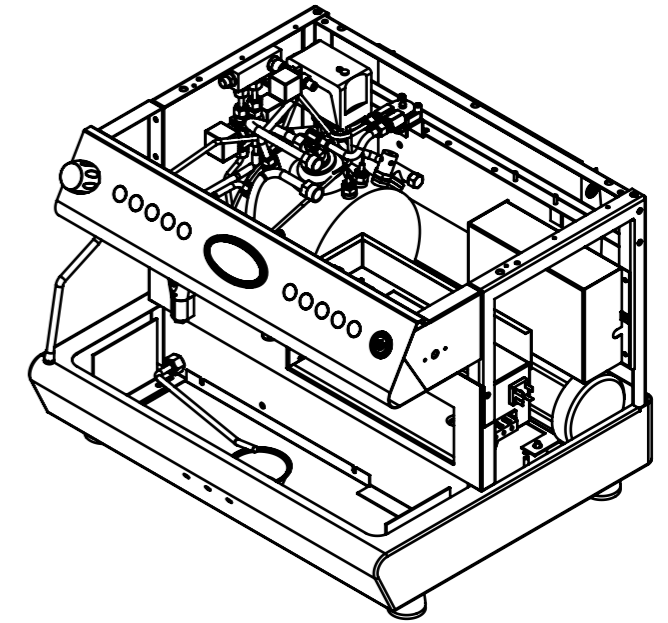
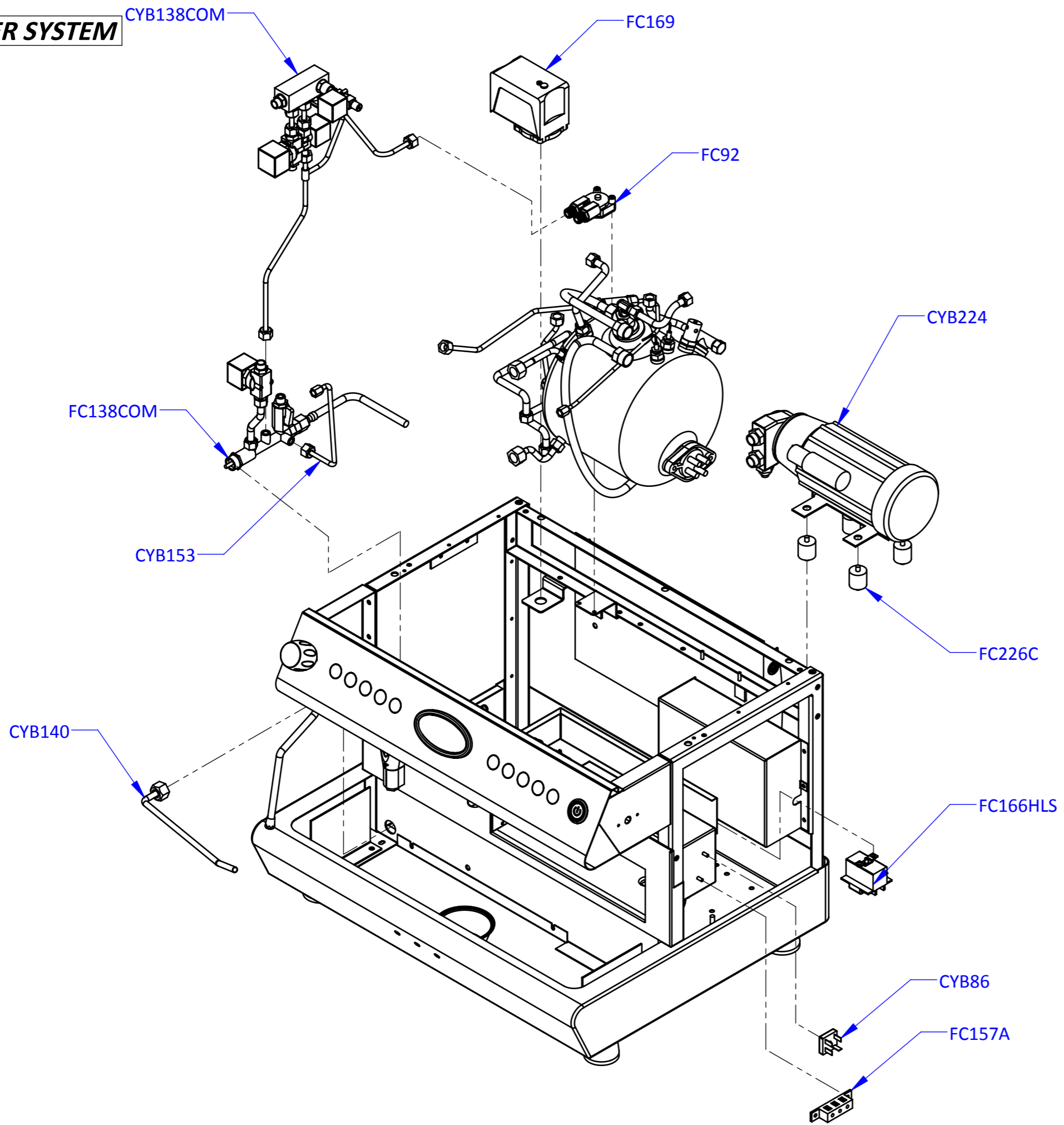
**FRONT PANEL EQUIPMENT**



**CYBERCINO COFFEE MACHINE**

© FRACINO 2009

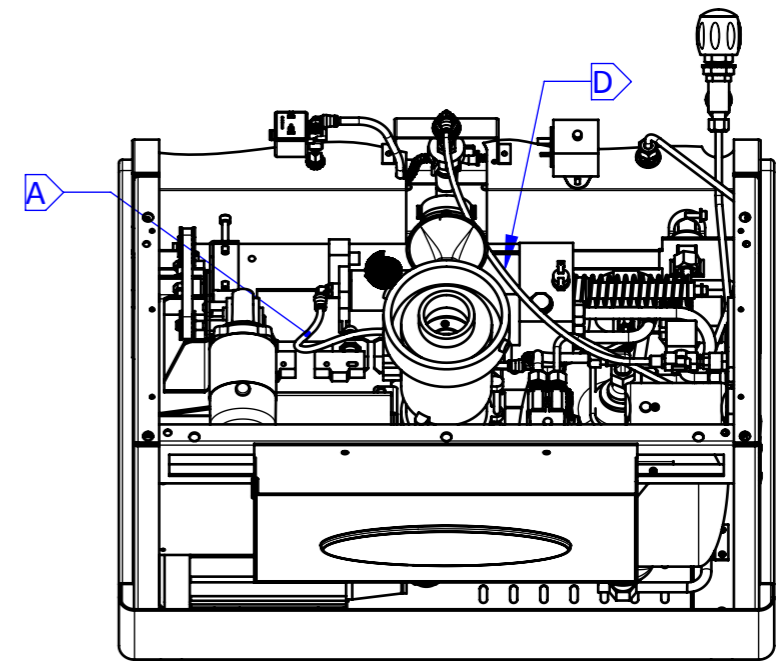
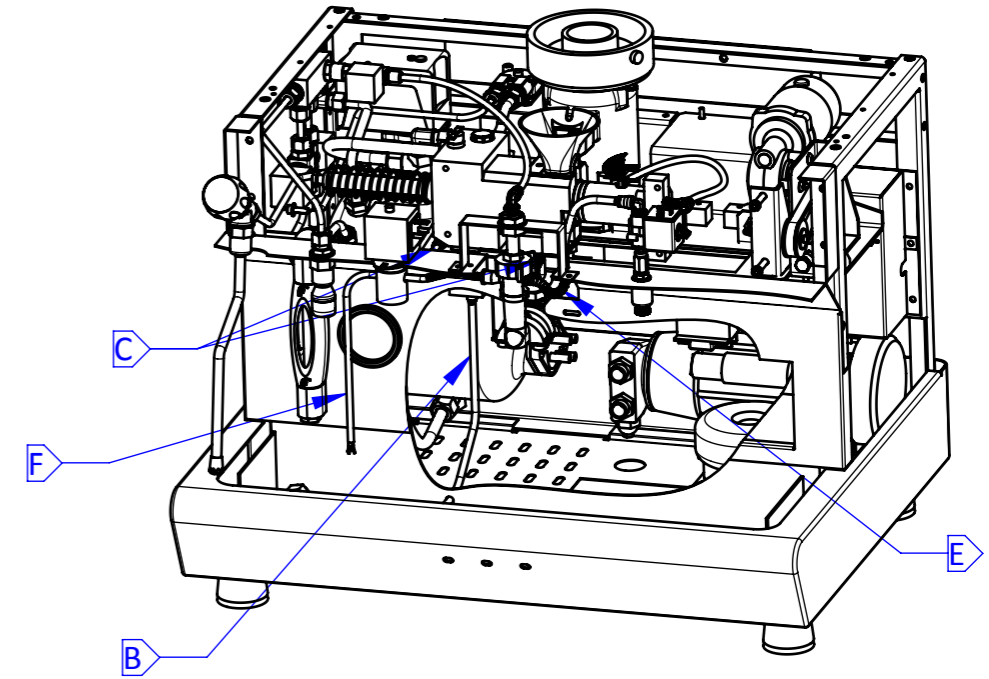
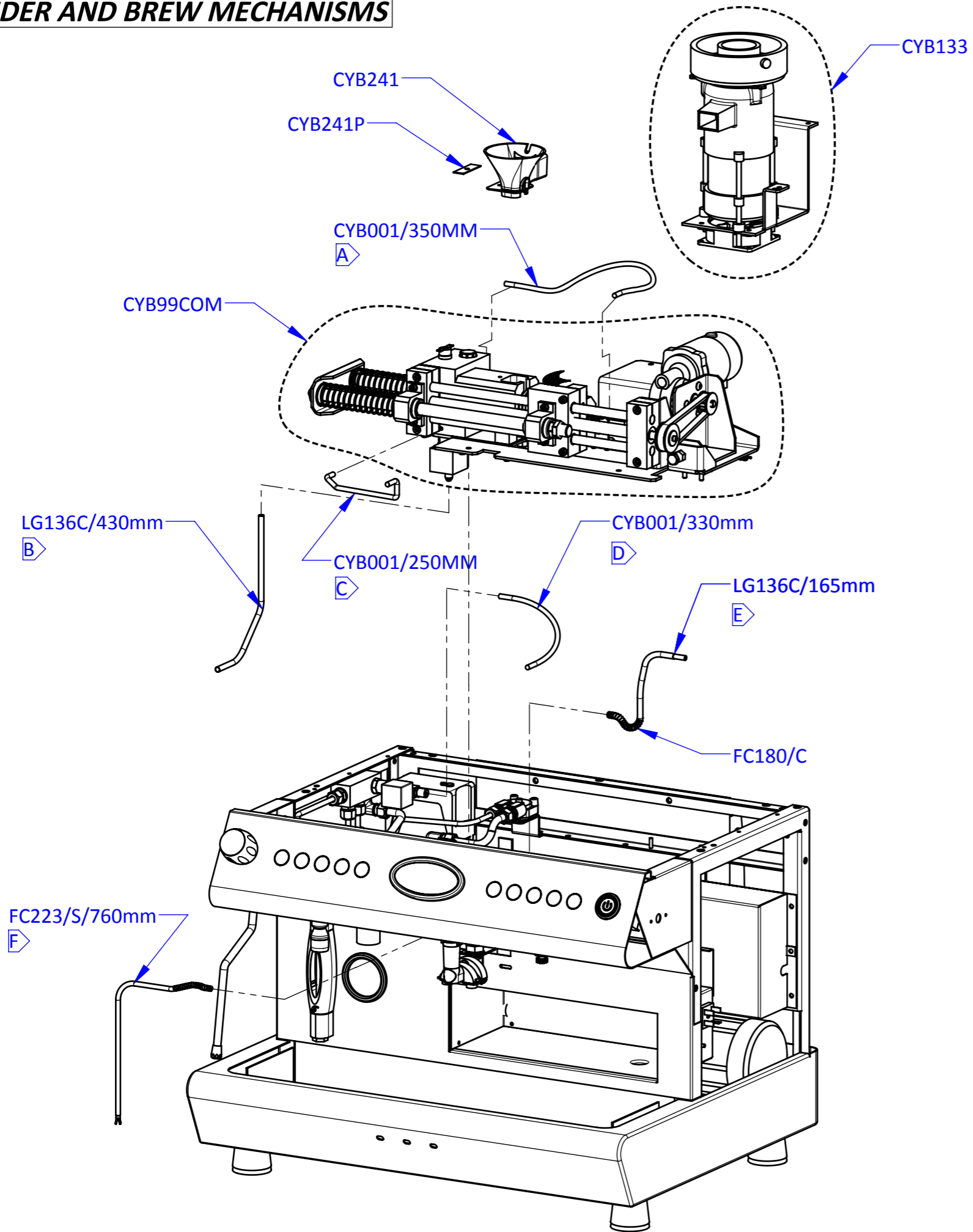
**HOT WATER SYSTEM**



**CYBERCINO COFFEE MACHINE**

© FRACINO 2009

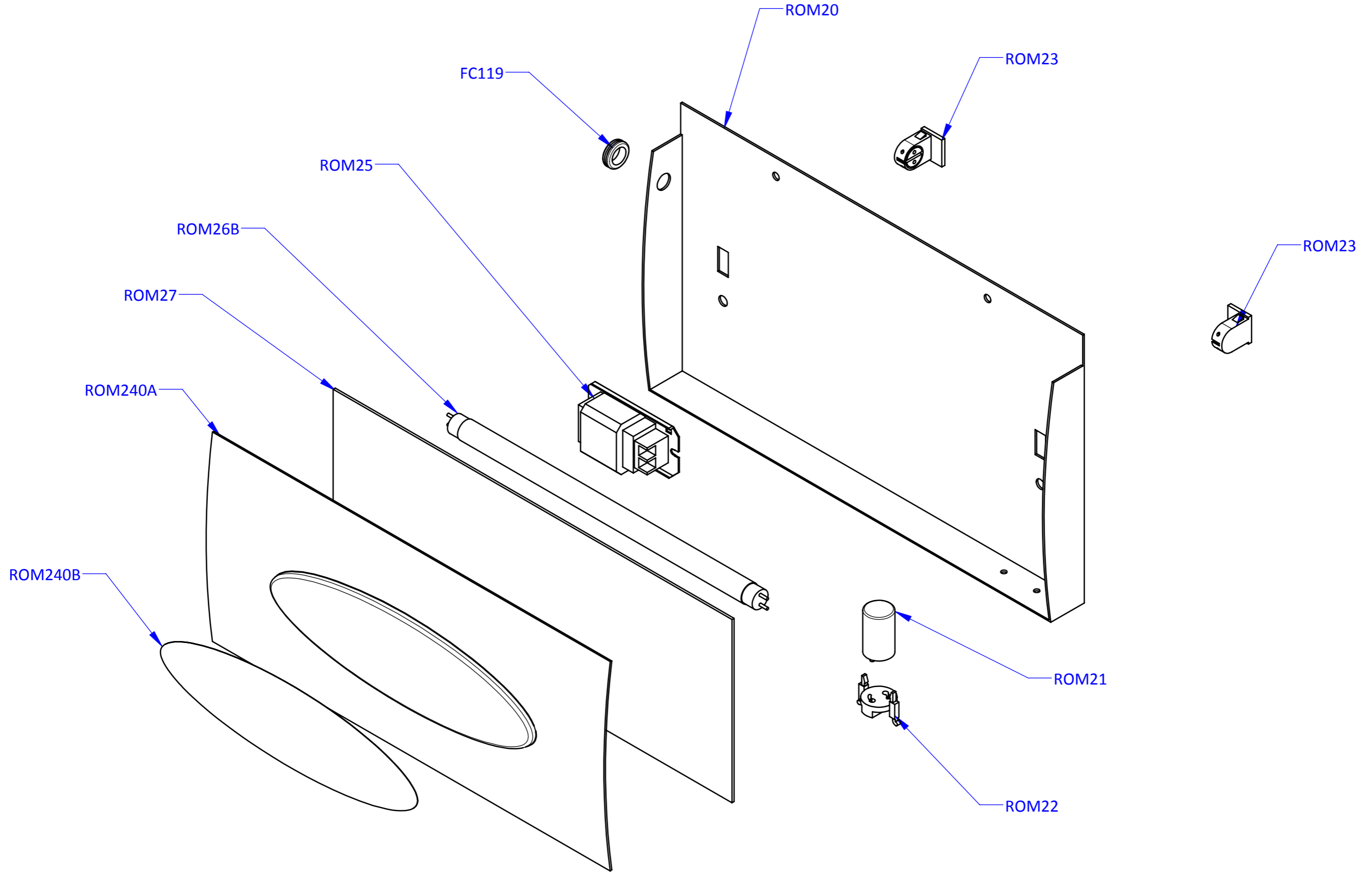
# GRINDER AND BREW MECHANISMS



**CYBERCINO COFFEE MACHINE**

© FRACINO 2009

**LIGHT BOX**



**BODYWORK**

