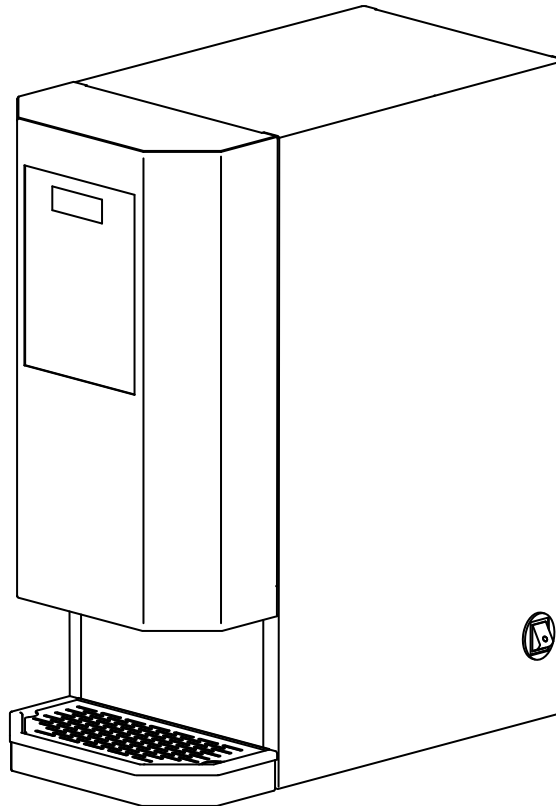


ATTIMO

Vending Machine

PARTS BOOK

2003 ONWARDS



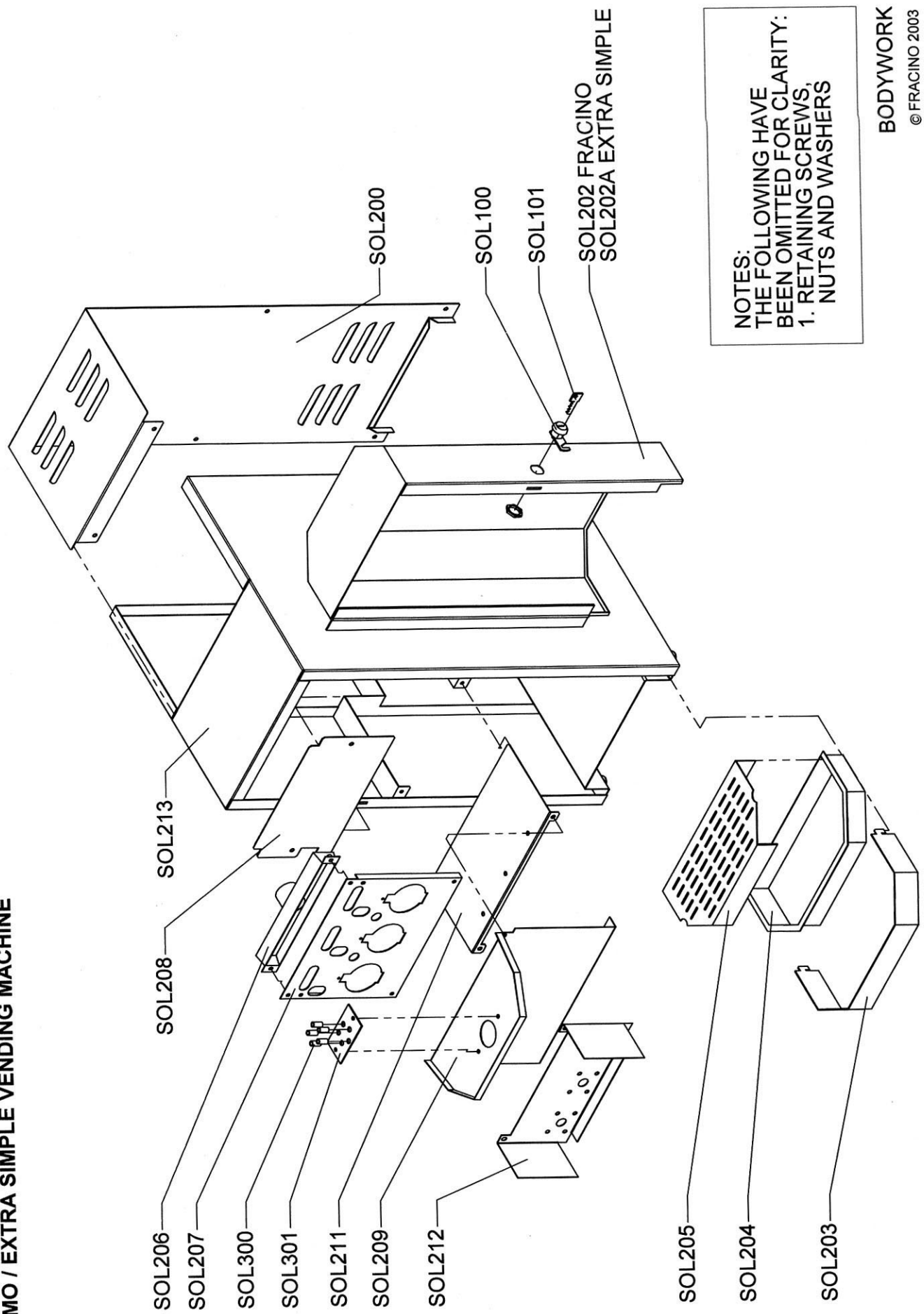
Fracino
18-22 Birch Road East
Birmingham
B6 7DB

Tel. 0121 328 5757
Fax. 0121 327 3333
e.mail: sales@fracino.co.uk

Part No.	Description	Quantity		
SOL91A	Electronics box (front & back)	1		
SOL91	Main PCB	1		
SOL91B	Electronics box mounting plate	1		
FC189	Power switch	1		
FC158	Power cable (inc. plug)	1		
FC157	Power cable grommet	1		
SOL310	Fan spigot			
SOL309	Fan and motor unit	1		
SOL301	Fan and motor unit mounting plate	1		
SOL299	Steam vent tubing	1		
SOL171	Inlet valve	1		
SOL150	Transformer	1		
SOL150A	Transformer mounting screw	1		
SOL150B	Transformer rubber washer	2		
SOL150C	Transformer mounting plate (circular)	1		
SOL150D	Transformer locking nut	1		
SOL150E	Transformer mounting washer	1		
	Other (included in above drawing sheet)			
SOL075	Drain valve fitting (Pre-2003)	1		
FC75D	Drain valve locking nut (Pre-2003)	1		
FC75C	Drain valve cap nut (Pre-2003)	1		
HEA260	Rubber feet	4		
HEA303	Rubber foot screw	4		
FC136/A	Water hose $\frac{3}{4}$ " – $\frac{3}{4}$ "	1		
SOL1	Silicone tubing (metre)	-		
SOL159	Wiring harness	1		
SOL075A	Silicon Bung Drain Plug			
	Door Mounted Electronics	1		
SOL201	Cover box	1		
SOL102	Cover box locking nut	4		
SOL15	PCB stand off	8		
SOL102	PCB nut	4		
SOL104	PCB washer	4		
SOL93D	LCD Display -complete	1		
SOL16	Spacers	8		
SOL94	Membrane switch panel	1		
SOL189	Programme switch	1		
SOL88	Ribbon cable	1		
SOL030	Self-adhesive cable tie anchor	-		
BT-04	Cable tie	-		
SOL88BS	Black Braided Sleeve for Ribbon Cable	1		
	Ingredient Tank and Motors			

Part No.	Description	Quantity		
SOL500	Gearbox and motor	3		
SOL501	Spigot	3		
SOL414	Outlet L-piece	3		
SOL400	Ingredient canister - complete	3		
SOL411	Auger connector	3		
SOL410	Auger / canister fitting	3		
SOL409	Auger o-ring large	3		
SOL408	Auger o-ring small	3		
SOL406	Auger	3		
SOL405	Auger outlet o-ring	3		
SOL404	Auger outlet moulding	3		
SOL413	Ingredient canister	3		
SOL412	Ingredient canister mounting plate	3		
SOL401	Ingredient tank lid	3		
SOL403	Agitator cog	3		
SOL402	Agitator spring	3		
	Whipper System			
SOL302	Steam seal	3		
SOL450	Steam trap	3		
SOL452	Whipper mixing chamber	3		
SOL458	Impellor	3		
SOL455	Mixing chamber o-ring	3		
SOL459	Shaft seal	3		
SOL457	Locking ring	3		
SOL451	Clip on base	3		
SOL454	Stem o-ring	3		
SOL453	Whipper motor	3		
SOL456	Bulkhead Adapter	3		

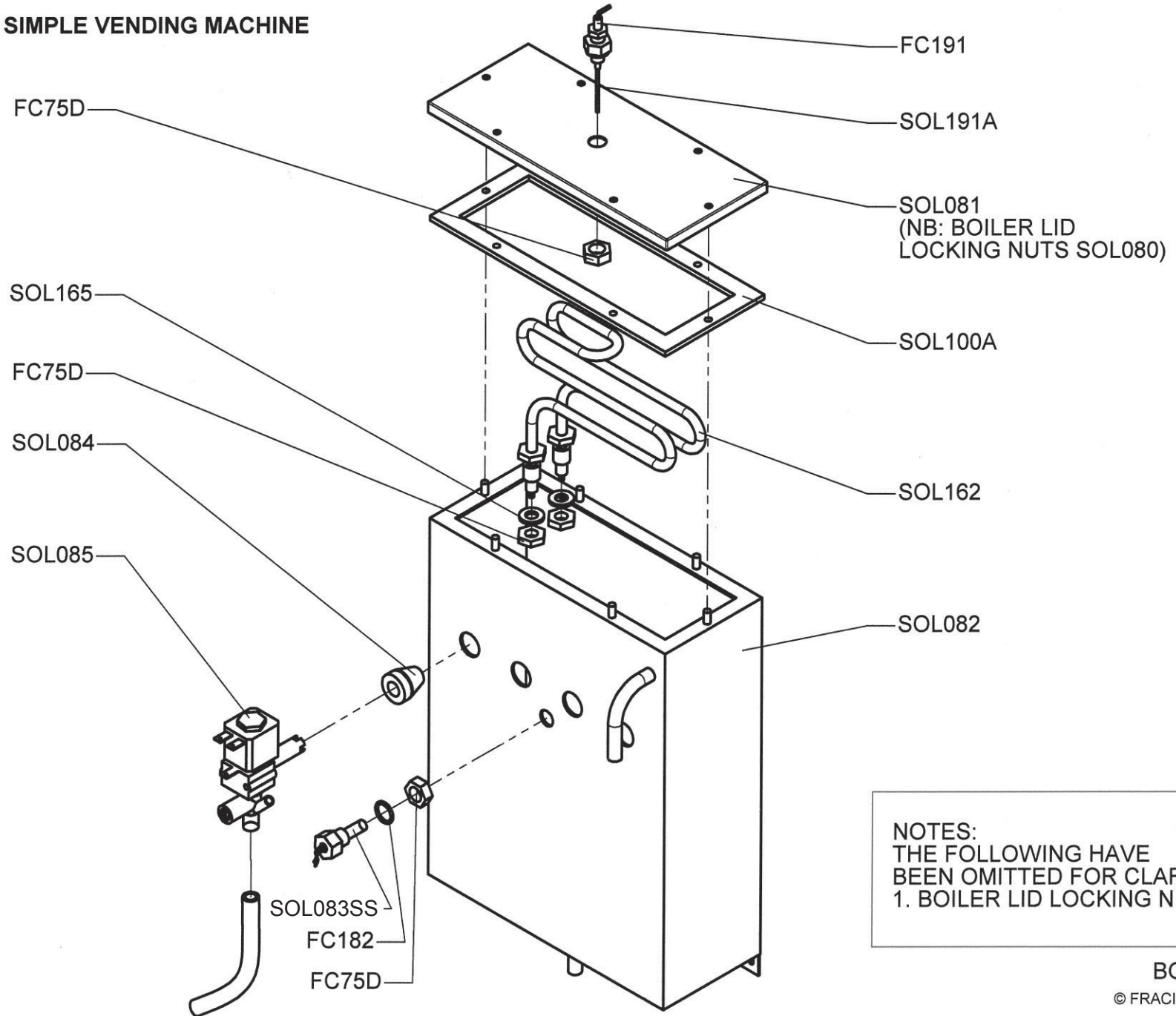
ATTIMO / EXTRA SIMPLE VENDING MACHINE



NOTES:
 THE FOLLOWING HAVE
 BEEN OMITTED FOR CLARITY:
 1. RETAINING SCREWS,
 NUTS AND WASHERS

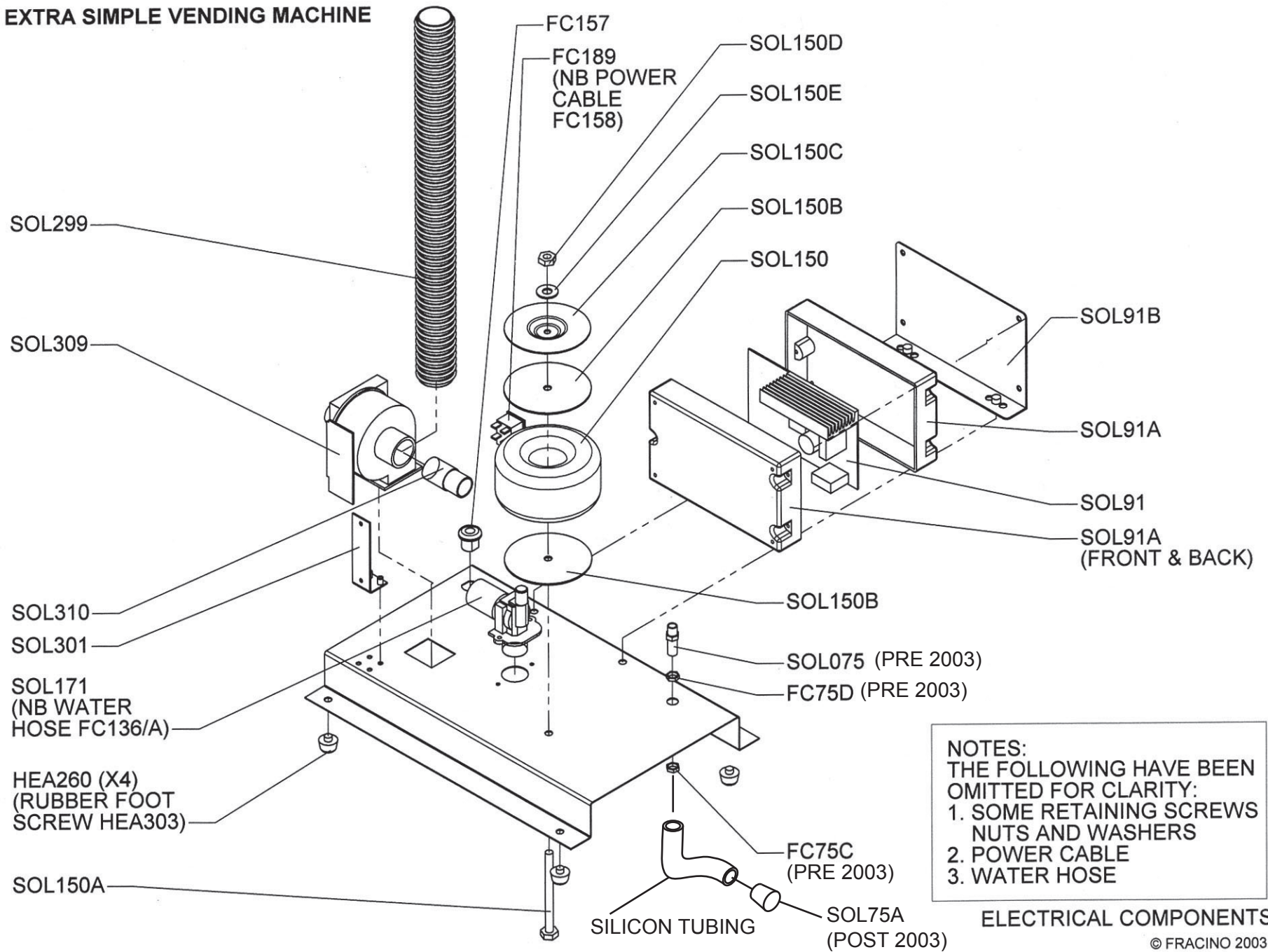
BODYWORK
 © FRACINO 2003

ATTIMO / EXTRA SIMPLE VENDING MACHINE



NOTES:
THE FOLLOWING HAVE
BEEN OMITTED FOR CLARITY:
1. BOILER LID LOCKING NUTS

ATTIMO / EXTRA SIMPLE VENDING MACHINE

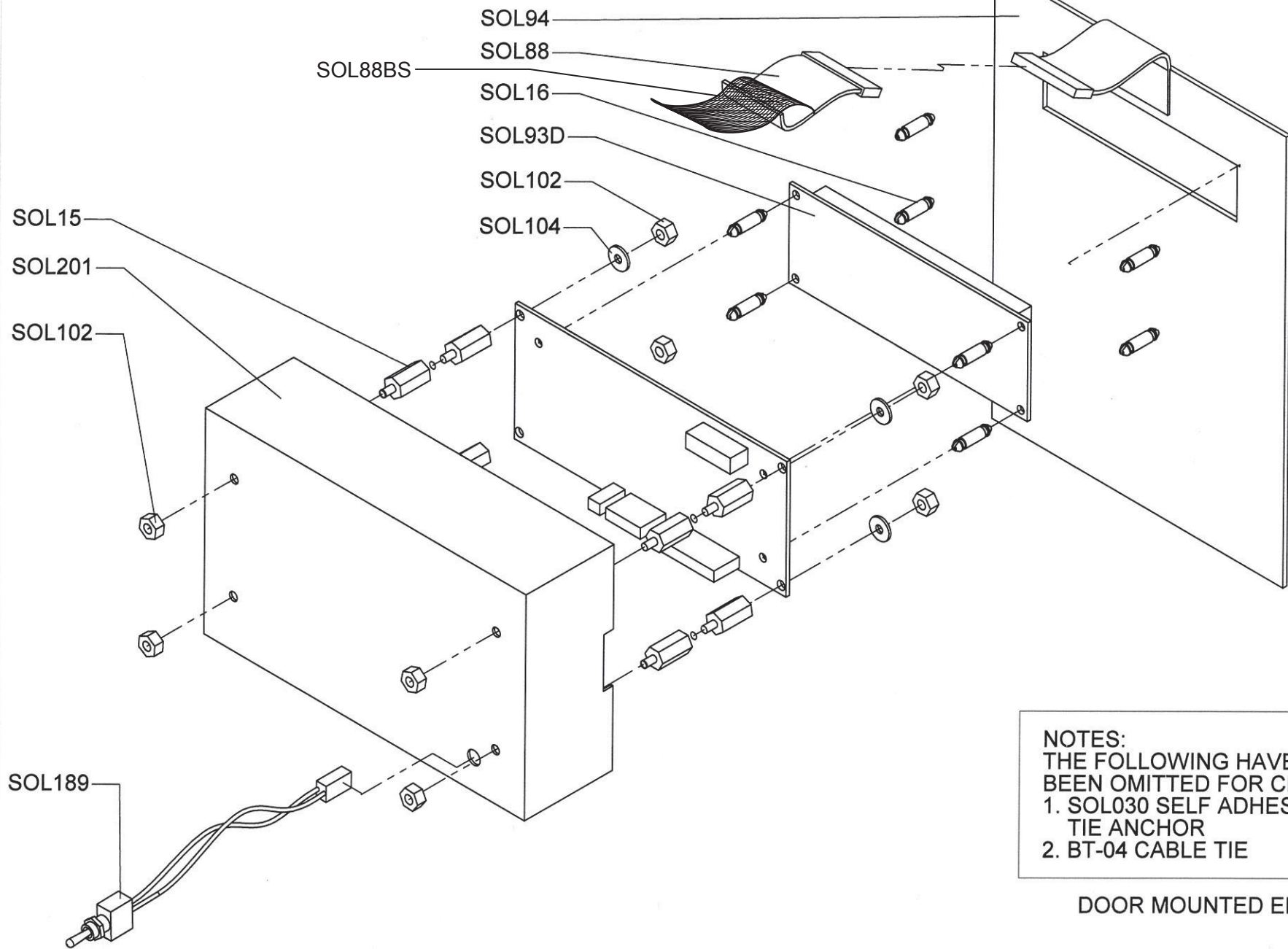


NOTES:
 THE FOLLOWING HAVE BEEN OMITTED FOR CLARITY:
 1. SOME RETAINING SCREWS NUTS AND WASHERS
 2. POWER CABLE
 3. WATER HOSE

ELECTRICAL COMPONENTS

© FRACINO 2003

ATTIMO / EXTRA SIMPLE VENDING MACHINE

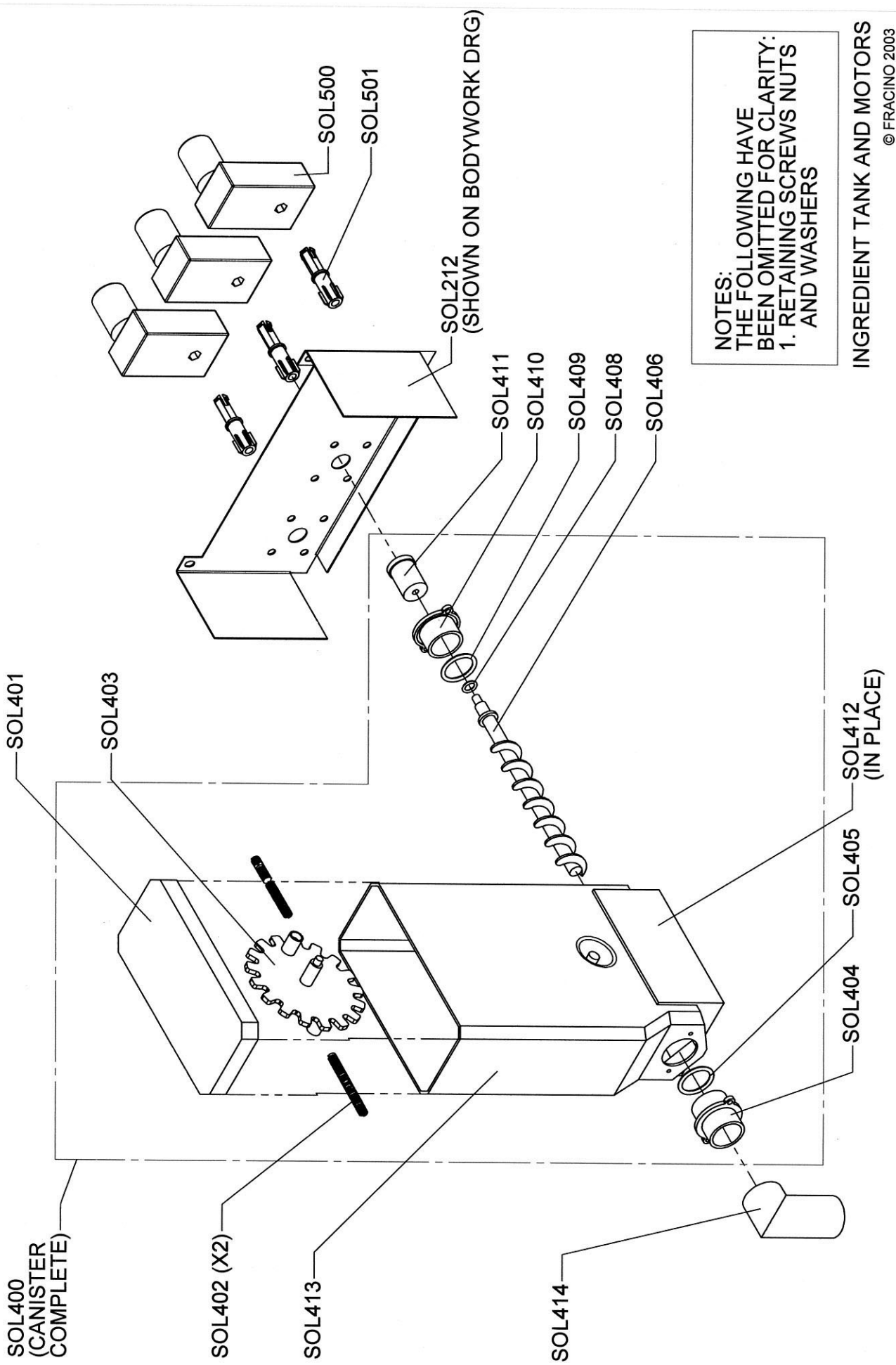


NOTES:
 THE FOLLOWING HAVE
 BEEN OMITTED FOR CLARITY:
 1. SOL030 SELF ADHESIVE CABLE
 TIE ANCHOR
 2. BT-04 CABLE TIE

DOOR MOUNTED ELECTRONICS

© FRACINO 2003

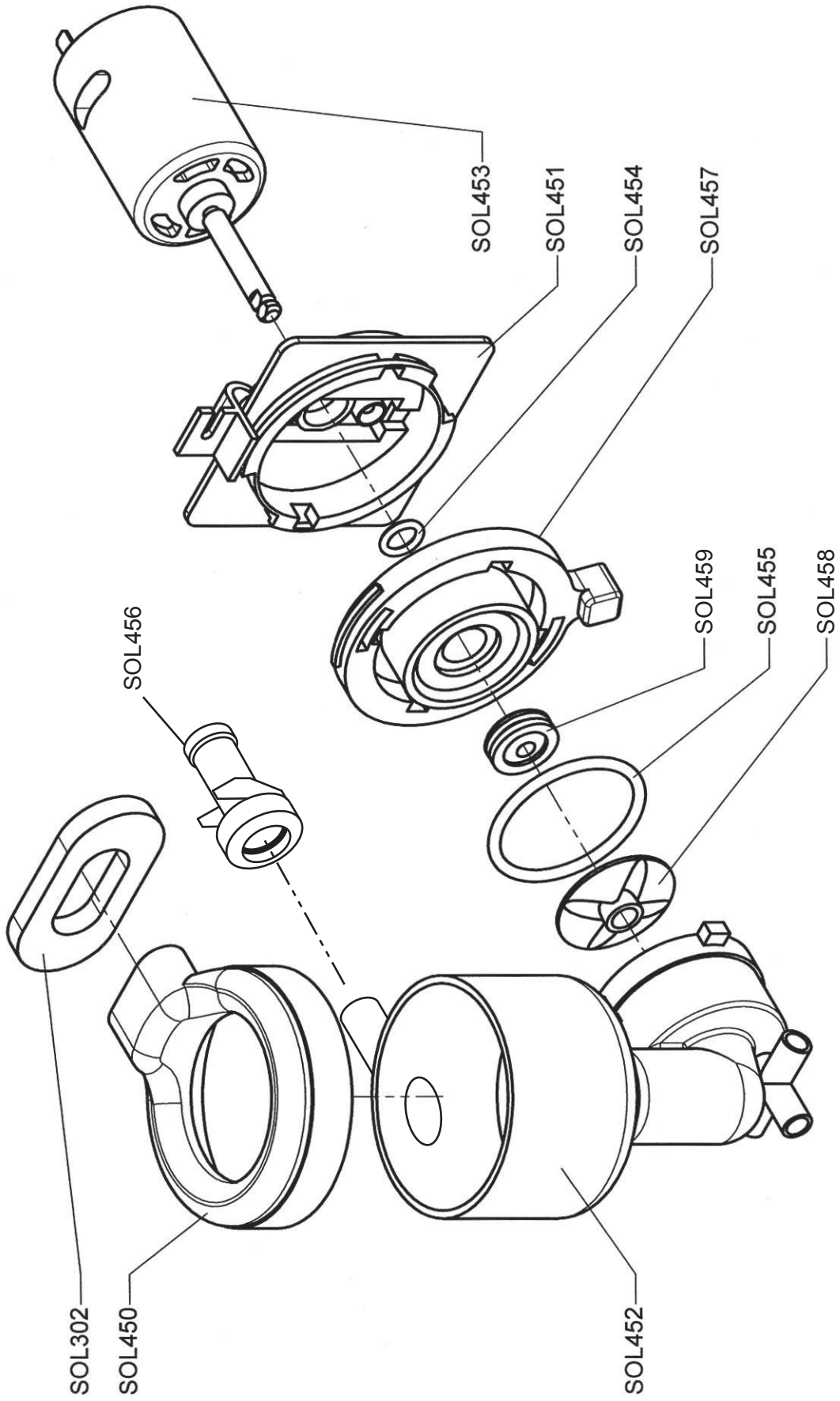
ATTIMO / EXTRA SIMPLE VENDING MACHINE

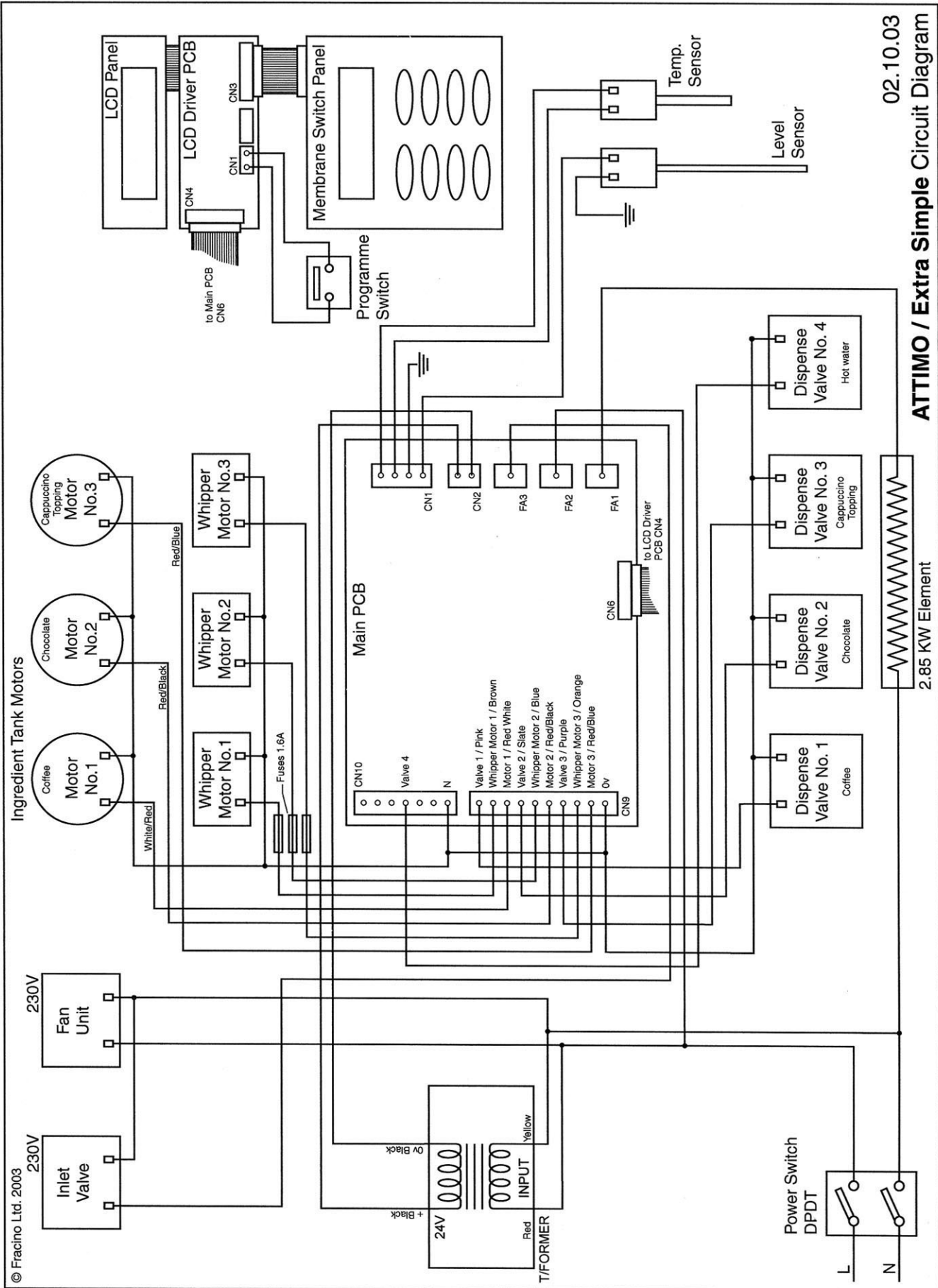


NOTES:
 THE FOLLOWING HAVE BEEN OMITTED FOR CLARITY:
 1. RETAINING SCREWS NUTS AND WASHERS

INGREDIENT TANK AND MOTORS
 © FRACINO 2003

ATTIMO / EXTRA SIMPLE VENDING MACHINE





ATTIMO / Extra Simple Circuit Diagram

02.10.03